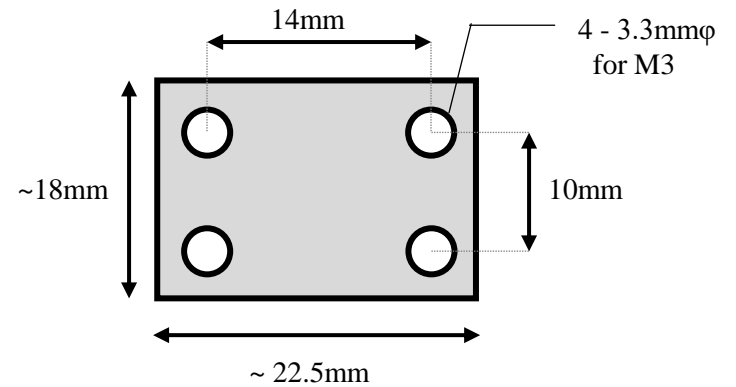
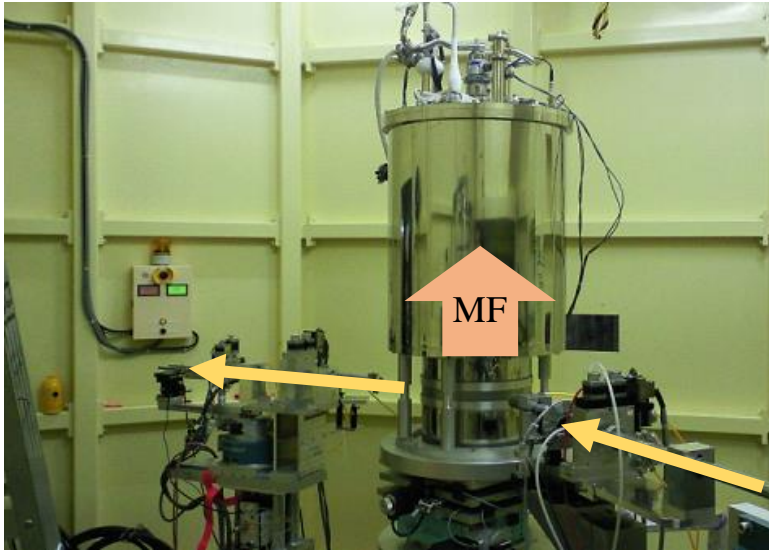


Superconducting Magnet



We can insert this sample stick
from the upper side of the magnet.