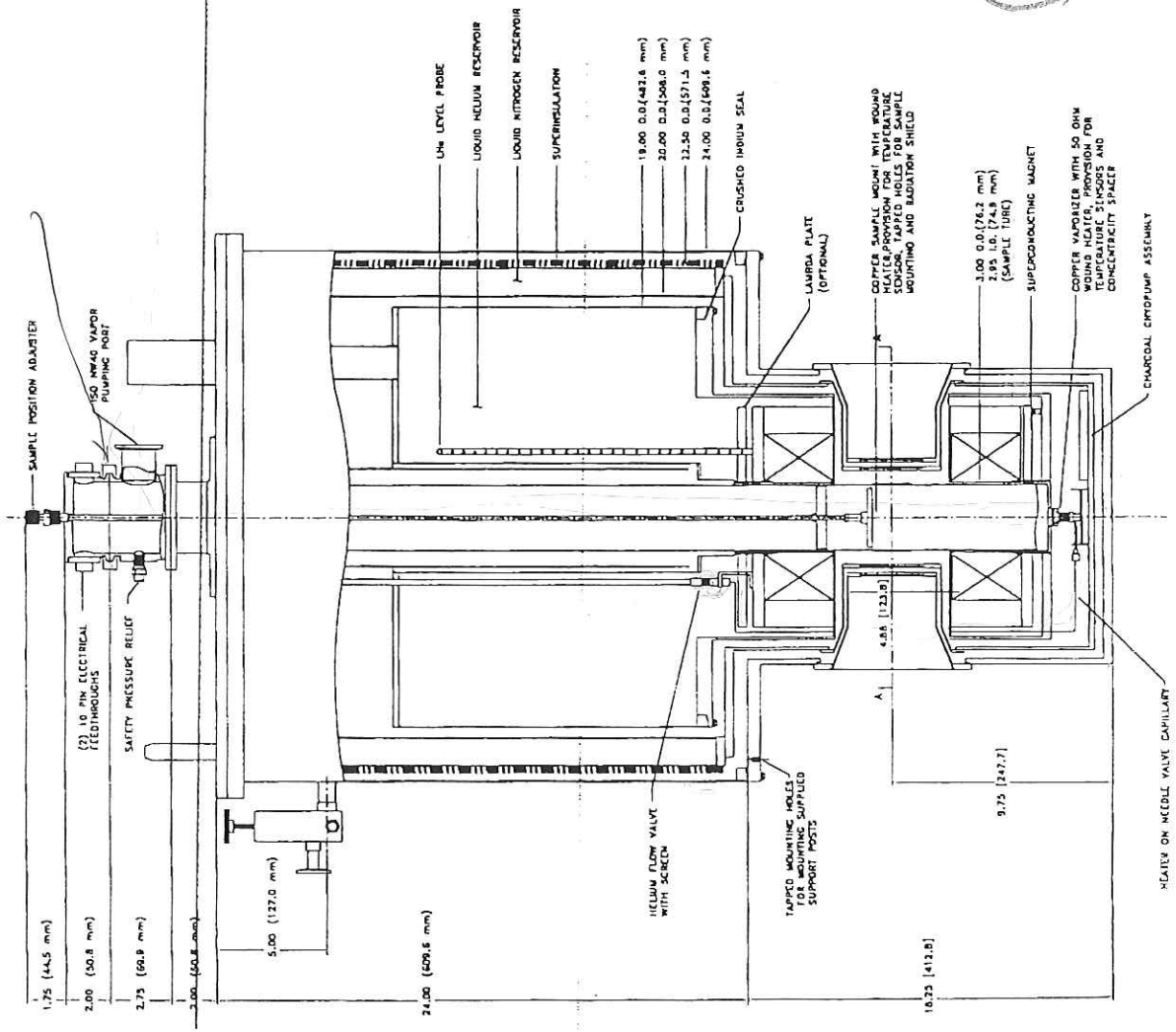
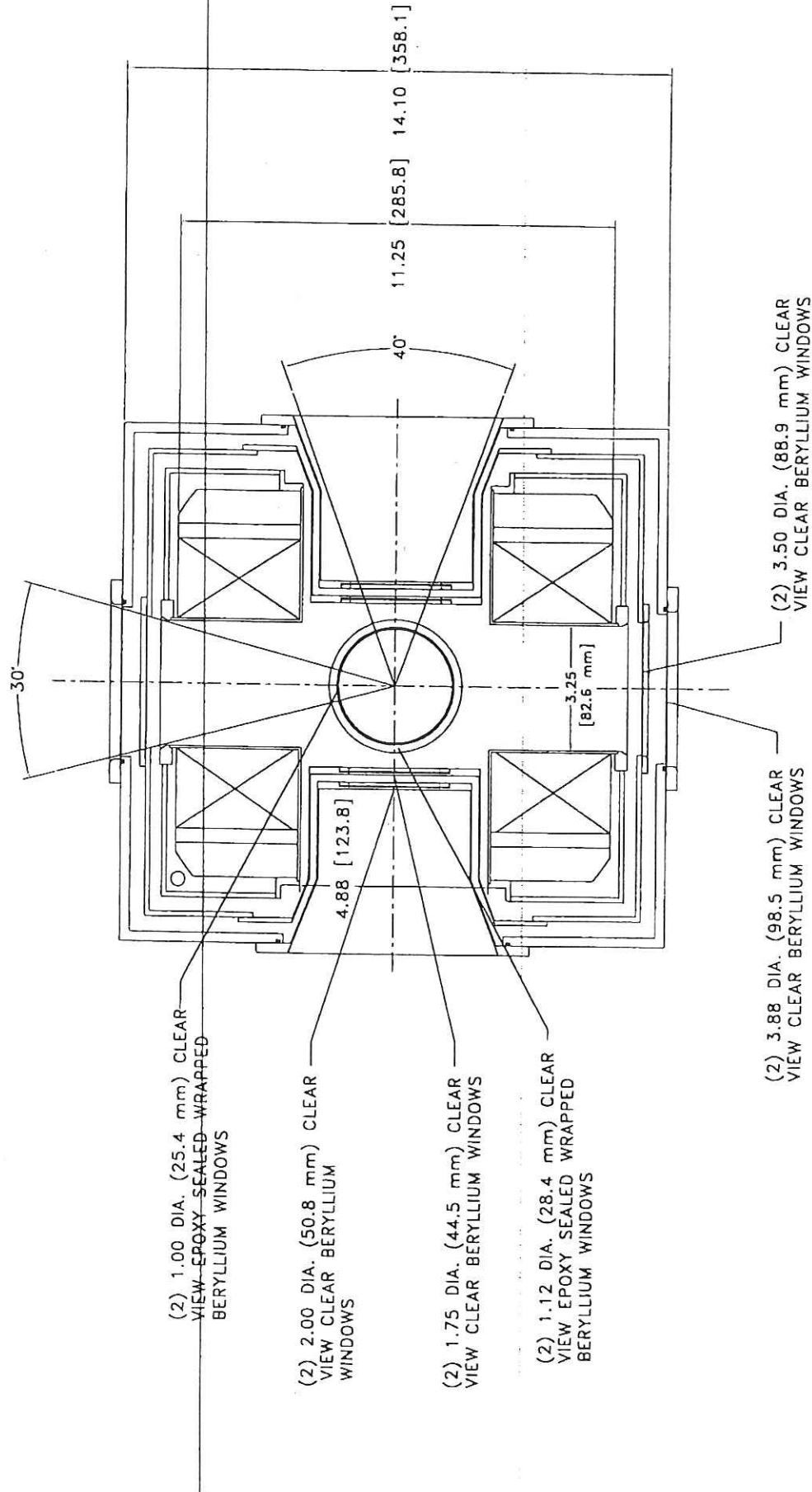


FORM NO.	SMC-1442M-OVT
INDUSTRY OF AMERICA, INC.	
REV.	
DATE	
DESIGNED BY	
DRAWN BY	
CHECKED BY	
DATE	



OK



(2) 1.00 DIA. (25.4 mm) CLEAR VIEW EPOXY SEALED WRAPPED BERYLLIUM WINDOWS

(2) 2.00 DIA. (50.8 mm) CLEAR VIEW CLEAR BERYLLIUM WINDOWS

(2) 1.75 DIA. (44.5 mm) CLEAR VIEW CLEAR BERYLLIUM WINDOWS

(2) 1.12 DIA. (28.4 mm) CLEAR VIEW EPOXY SEALED WRAPPED BERYLLIUM WINDOWS

(2) 3.88 DIA. (98.5 mm) CLEAR VIEW CLEAR BERYLLIUM WINDOWS

(2) 3.50 DIA. (88.9 mm) CLEAR VIEW CLEAR BERYLLIUM WINDOWS

SECTION A-A

CRYO Industries of America Inc. 11 Industrial Way, Atkinson N.H. 03811		DWG. NO. SMC-1442M-OVT	
TITLE: MODEL SM6 MAGNETO-OPTICAL SUPERCONDUCTING MAGNET SYSTEM	REV. 1	DATE 7/99	BY DC
DWN. BY: GJS	SCALE: NTS		
CHKD. BY: OC	DATE: 8-23-94		