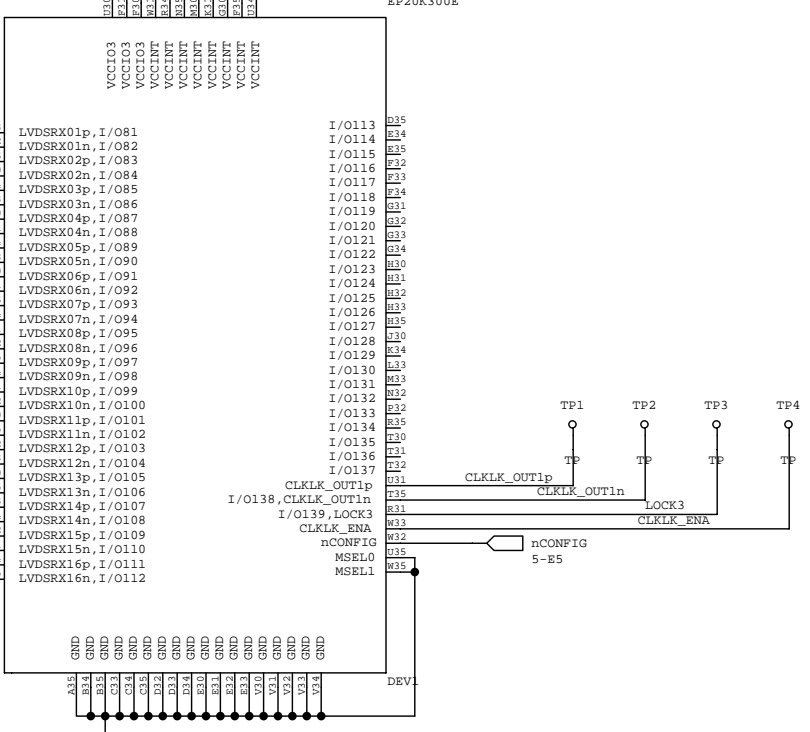
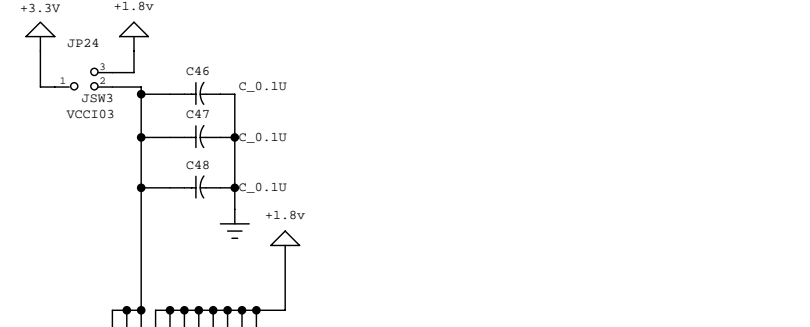
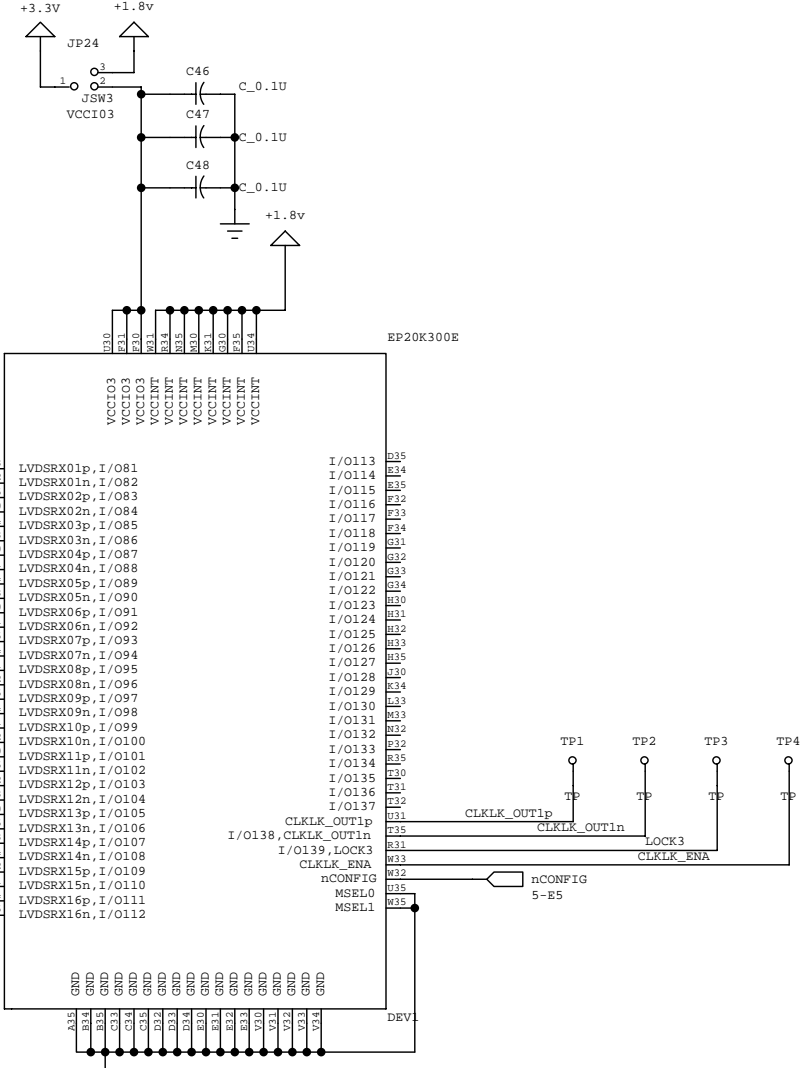
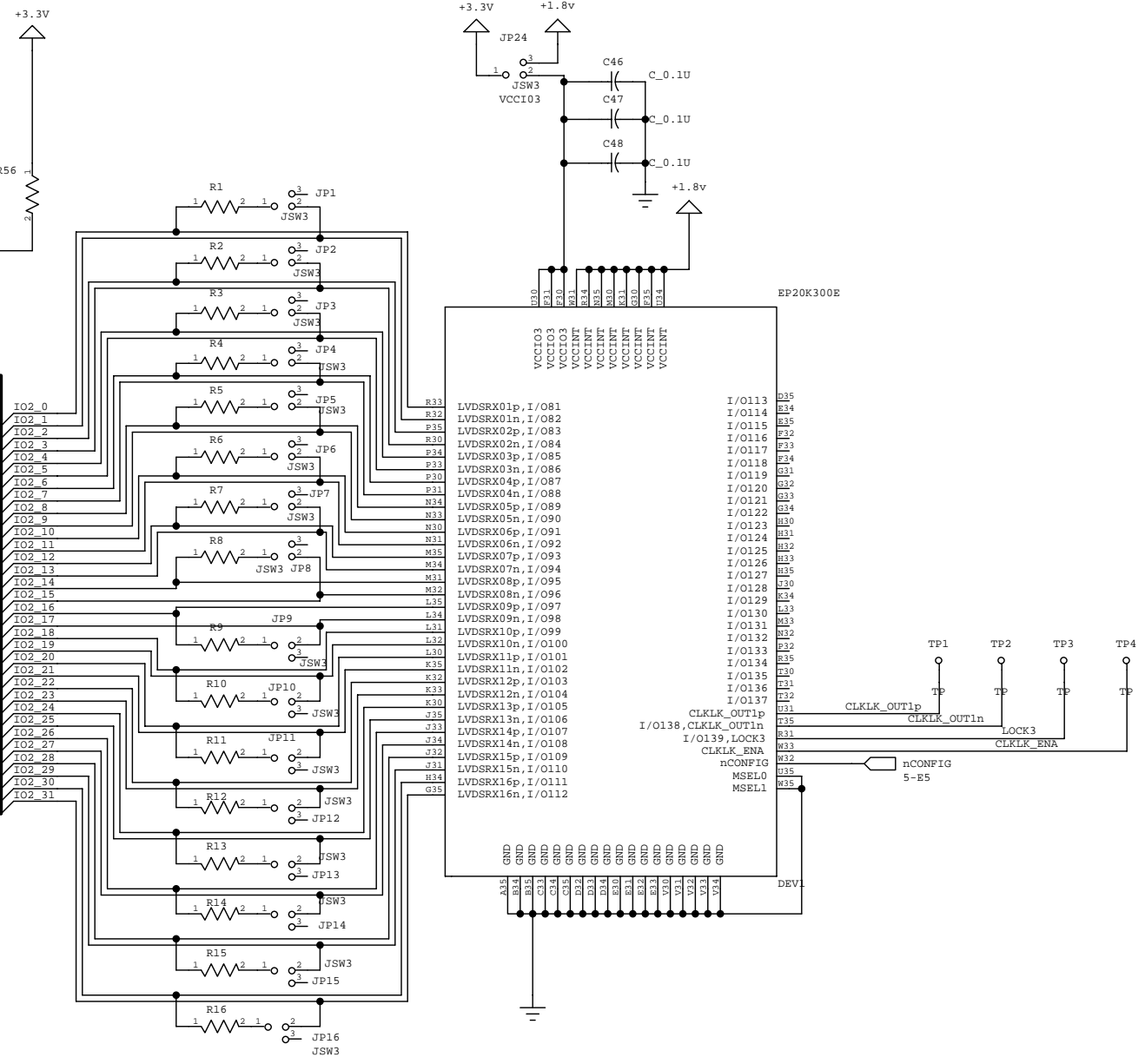
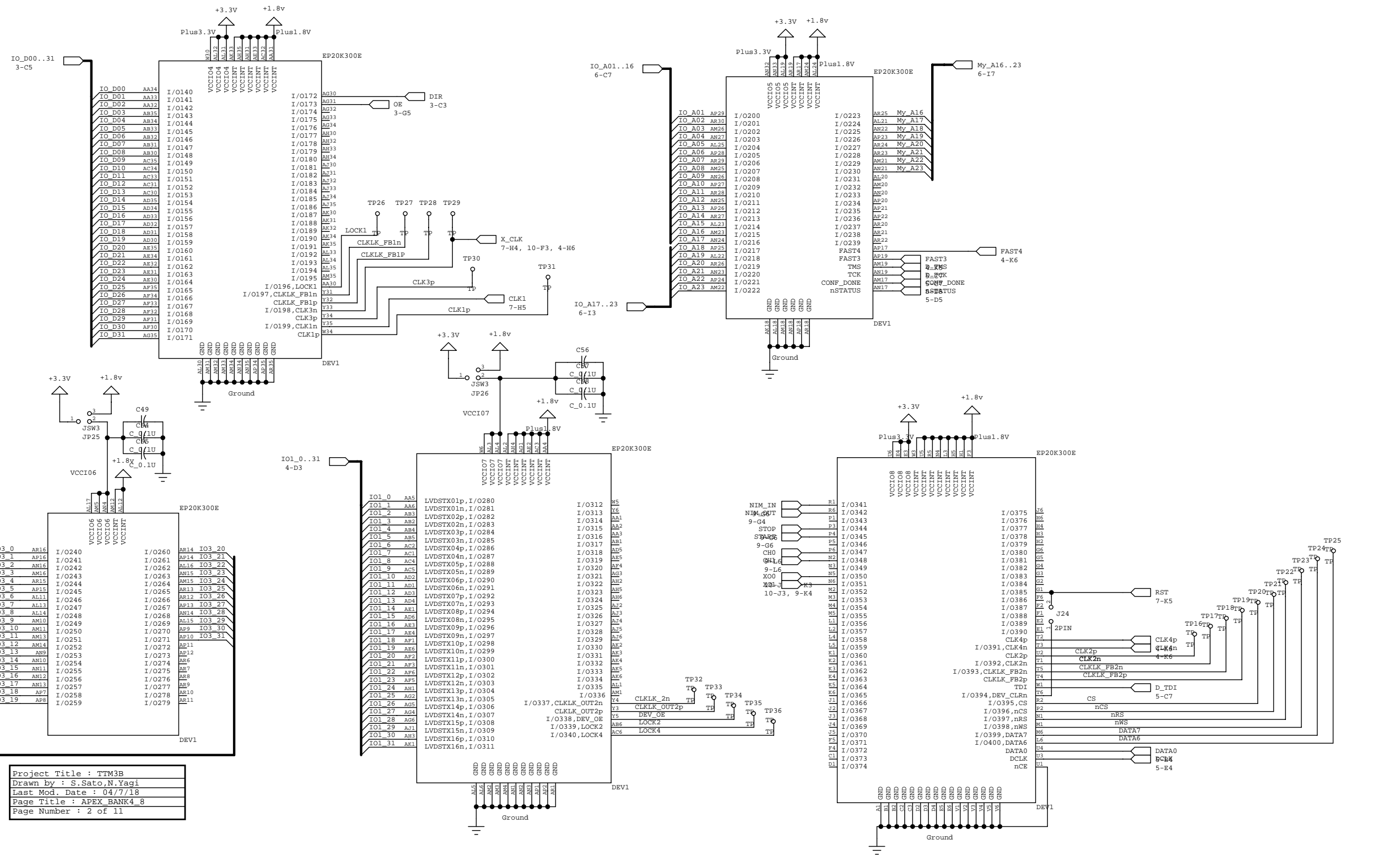


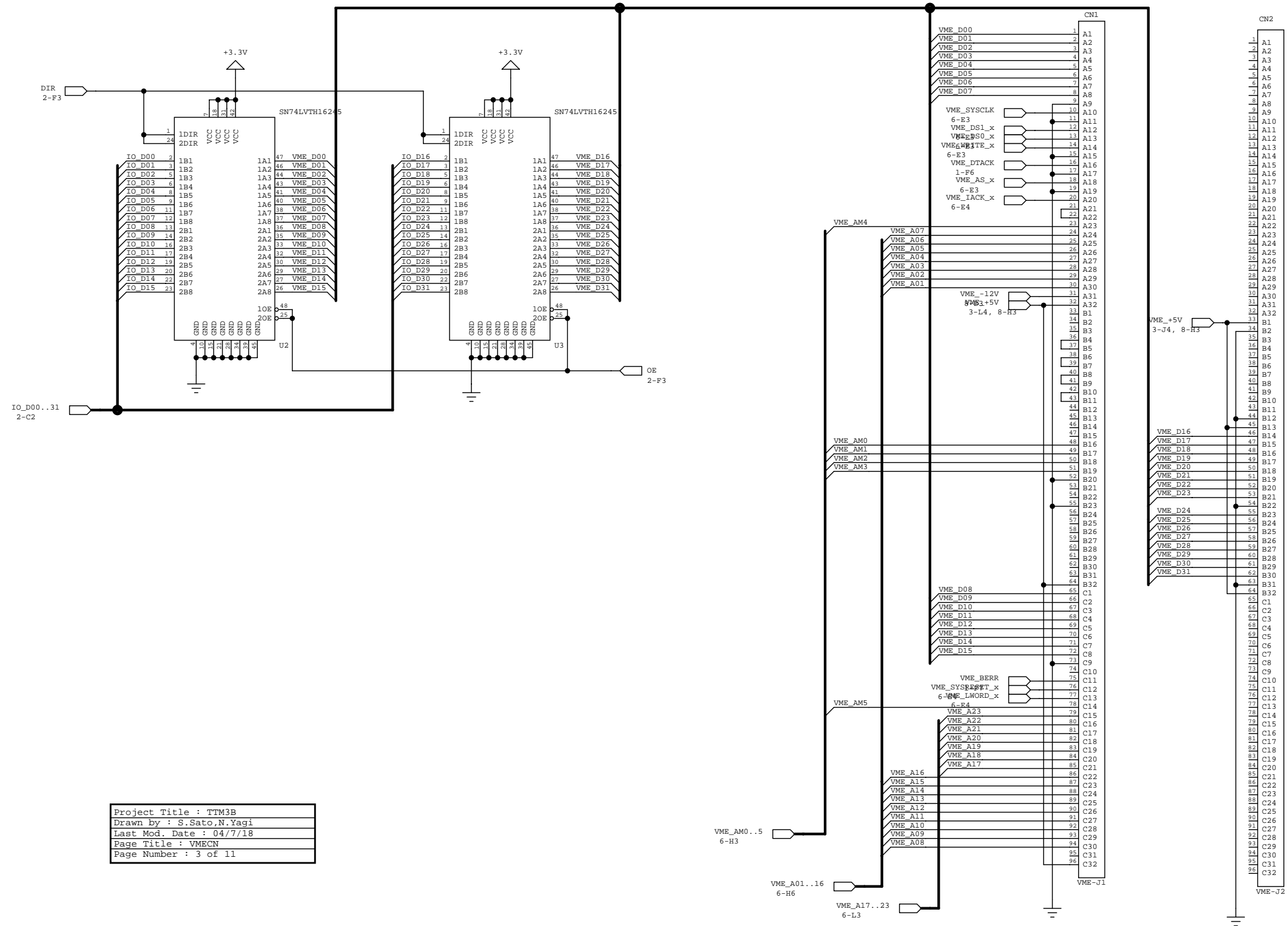
Project Title : TIM3B  
 Drawn by : S.Sato,N.Yagi  
 Last Mod. Date : 04/7/18  
 Page Title : APEX\_BANK1\_3  
 Page Number : 1 of 11

PWB=GN-0206-2

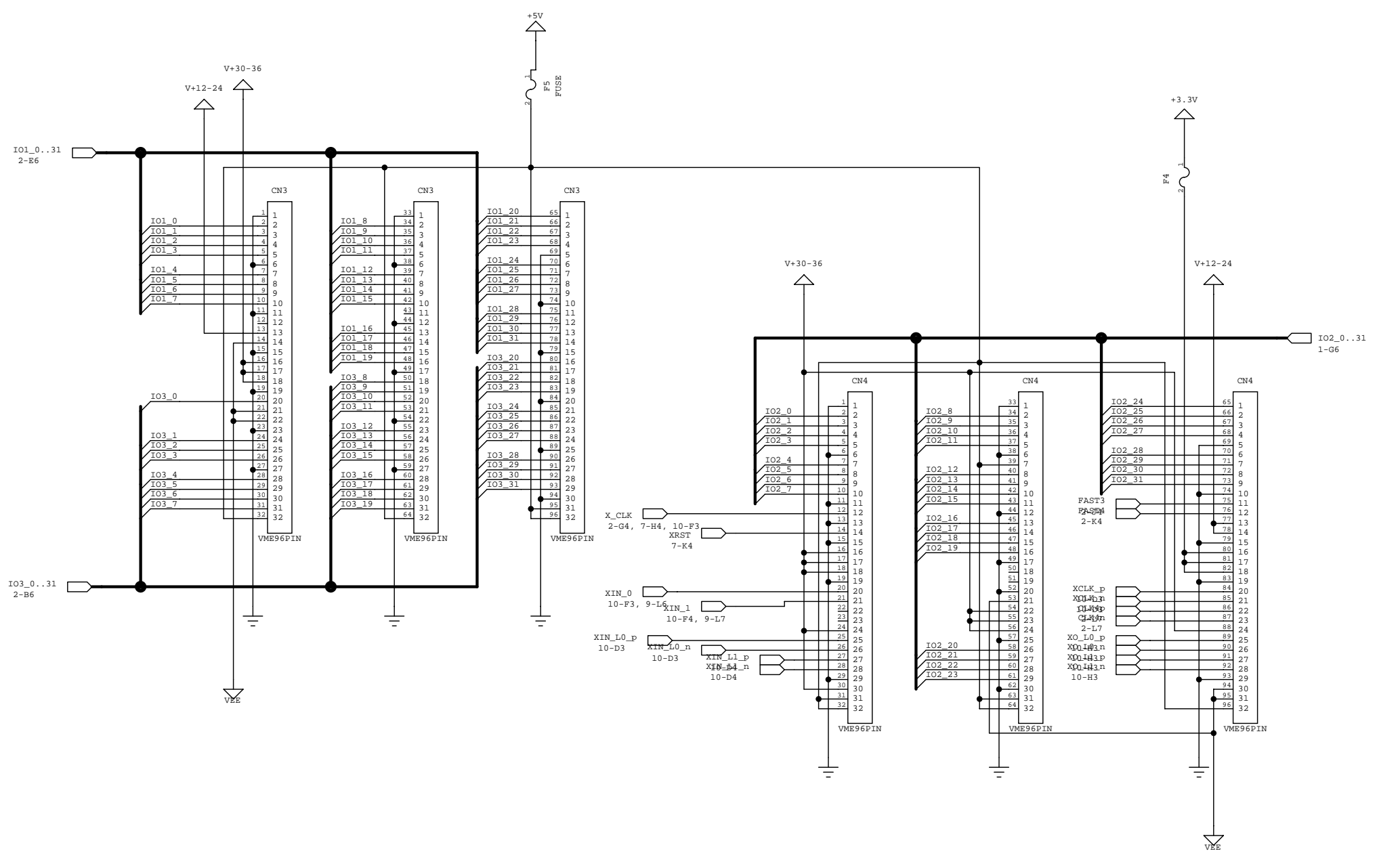




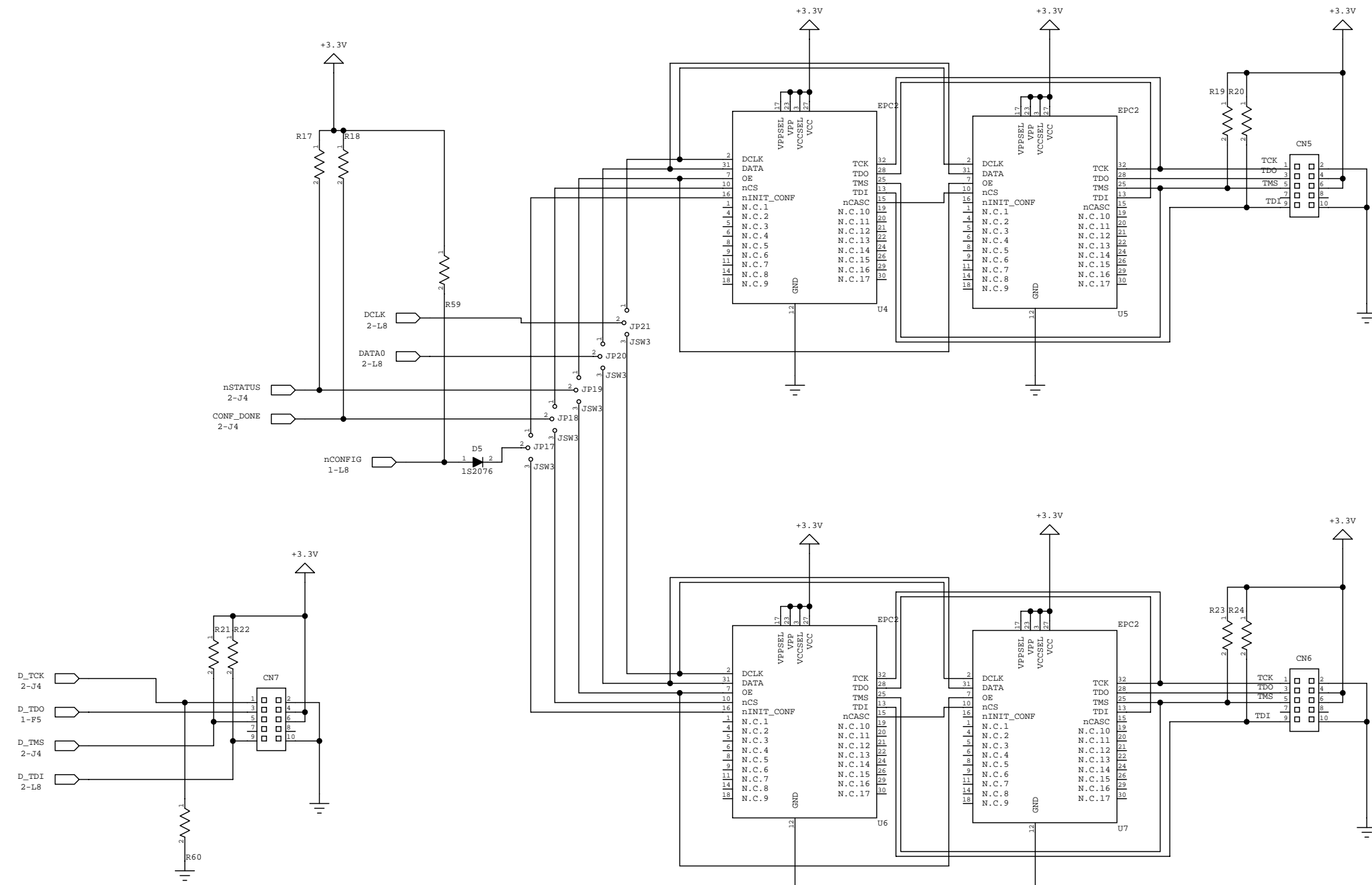
Project Title : TTM3B  
 Drawn by : S.Sato,N.Yagi  
 Last Mod. Date : 04/7/18  
 Page Title : APEX\_BANK4\_8  
 Page Number : 2 of 11



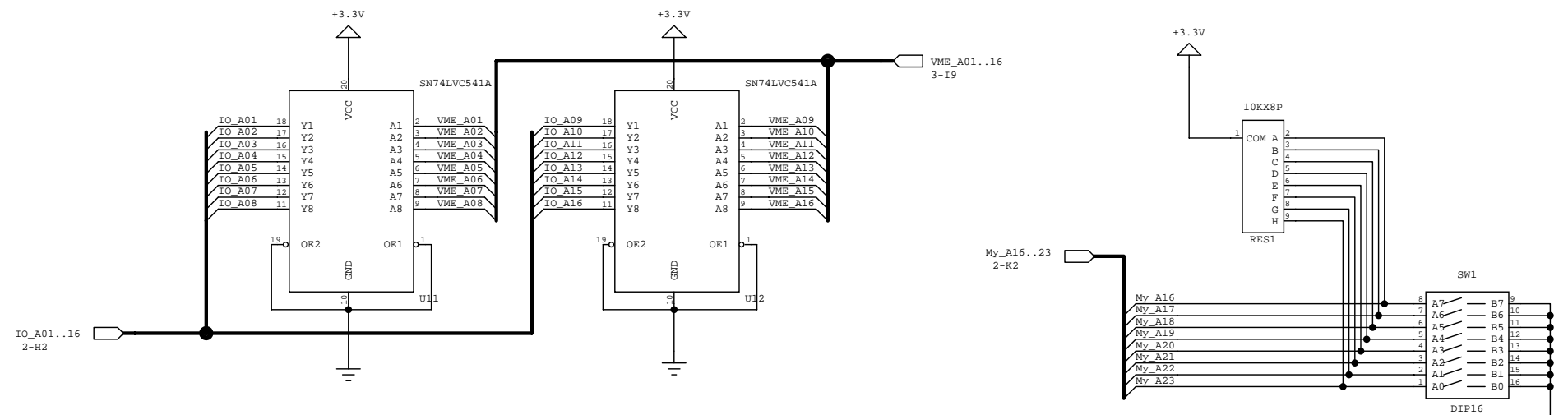
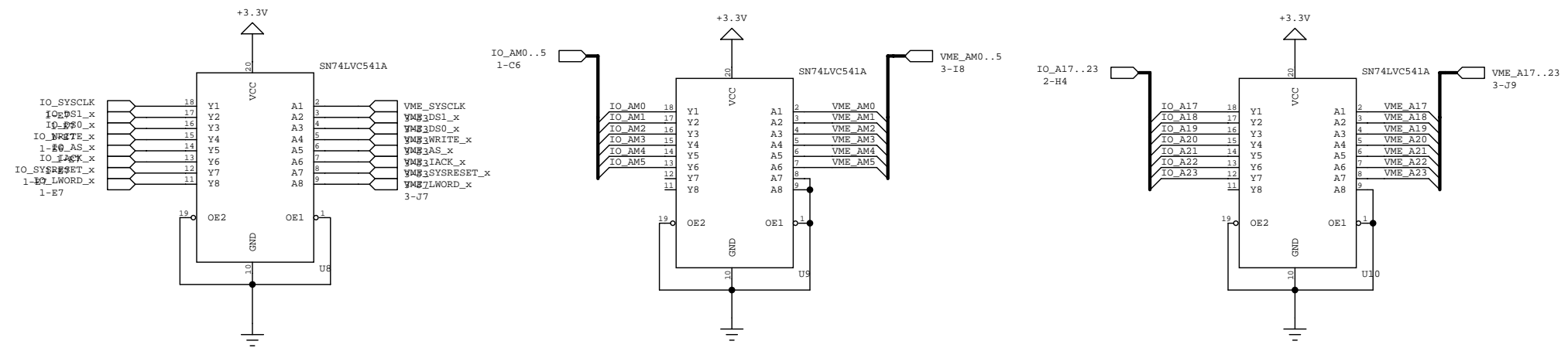
Project Title : TTM3B
Drawn by : S.Sato,N.Yagi
Last Mod. Date : 04/7/18
Page Title : VMECN
Page Number : 3 of 11



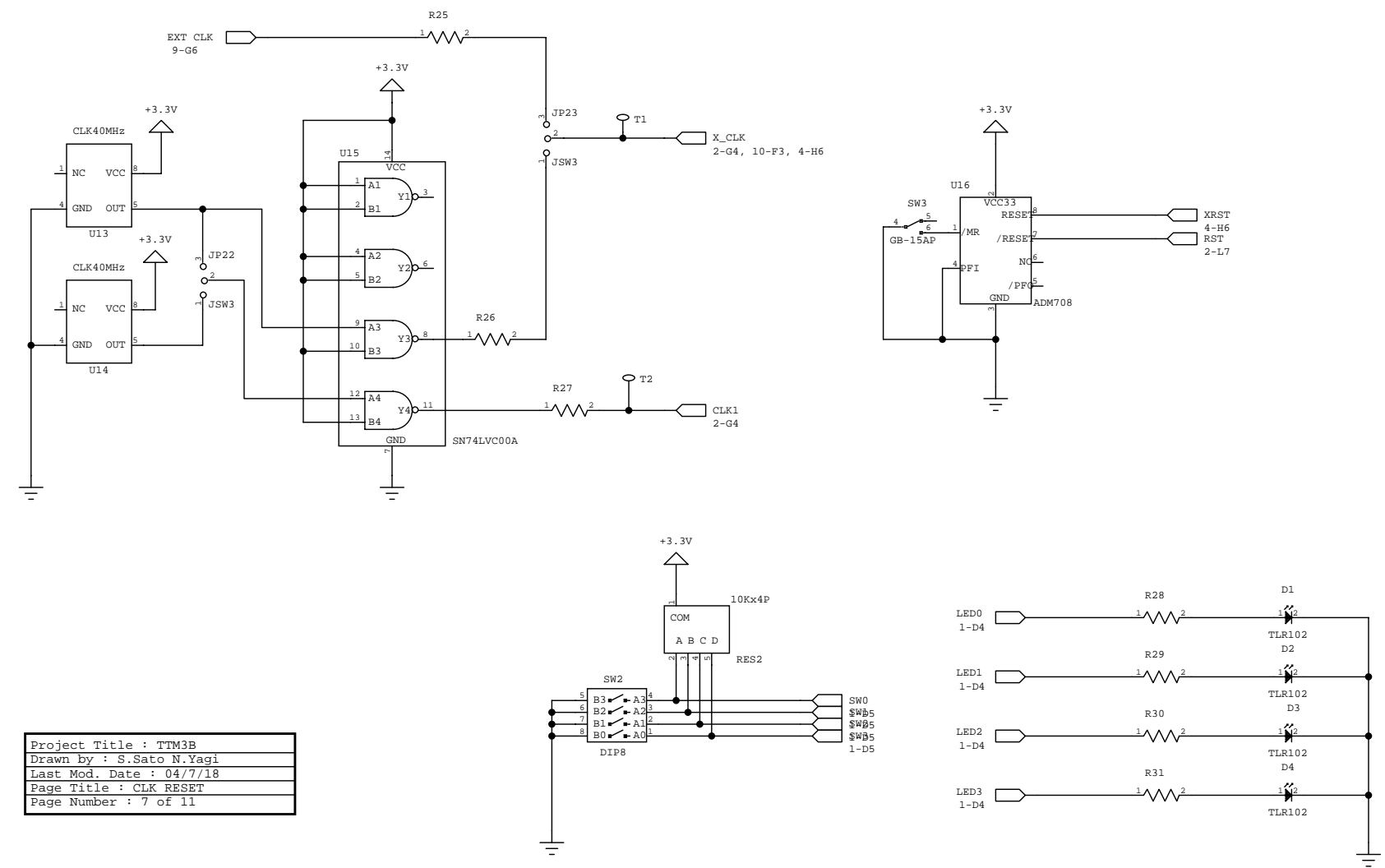
Project Title : TTM3B
Drawn by : S.Sato,N.Yagi
Last Mod. Date : 04/7/18
Page Title : SUBCN
Page Number : 4 of 11



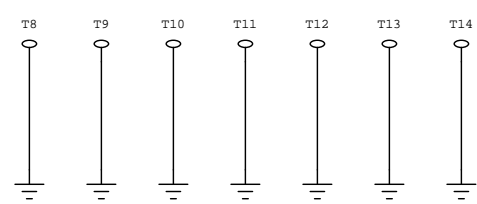
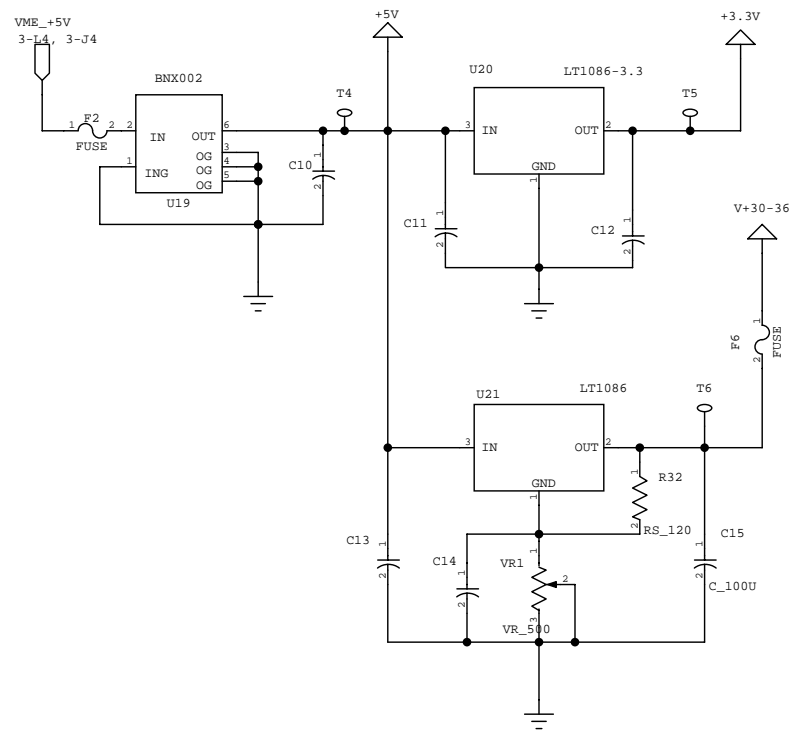
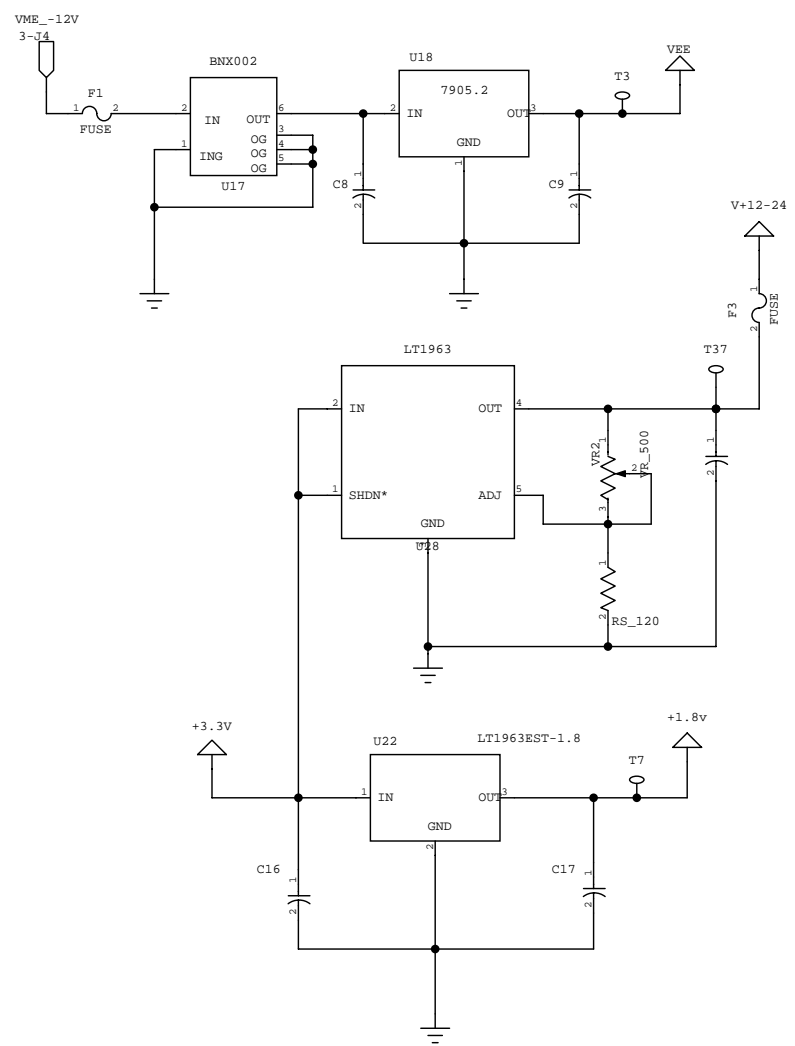
Project Title : TTM3B
Drawn by : S.Sato,N.Yagi
Last Mod. Date : 04/7/18
Page Title : EPC2 JTAG
Page Number : 5 of 11



Project Title : TTM3B
Drawn by : S.Sato,N.Yagi
Last Mod. Date : 04/7/18
Page Title : BUF_SW
Page Number : 6 of 11



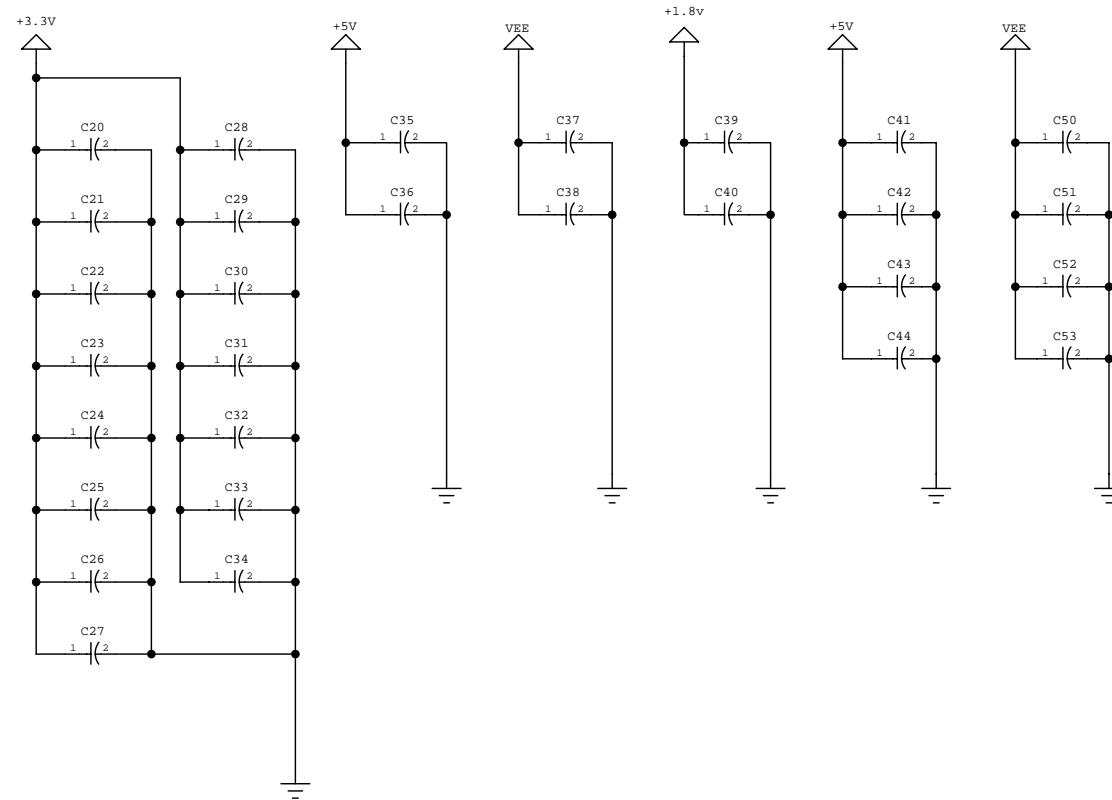
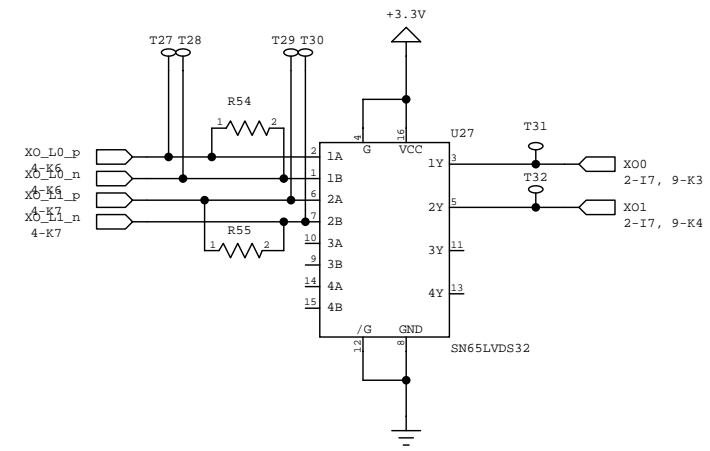
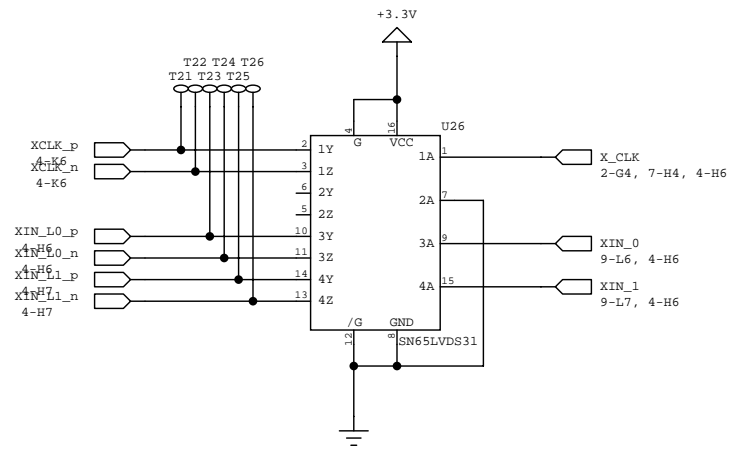
Project Title : TTM3B
Drawn by : S.Sato N.Yagi
Last Mod. Date : 04/7/18
Page Title : CLK RESET
Page Number : 7 of 11



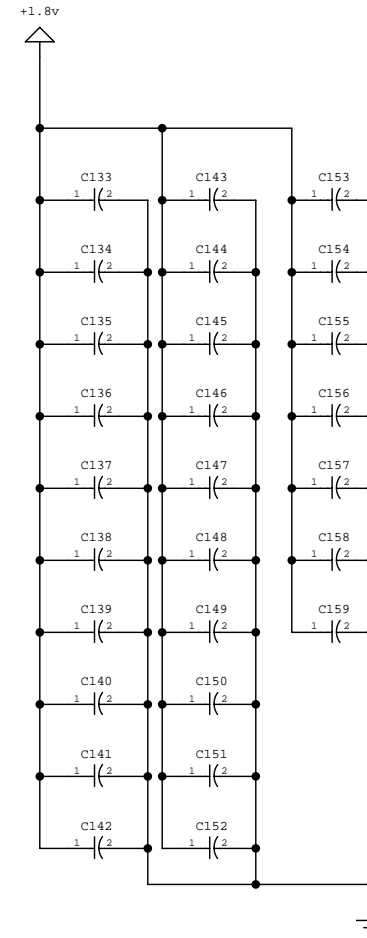
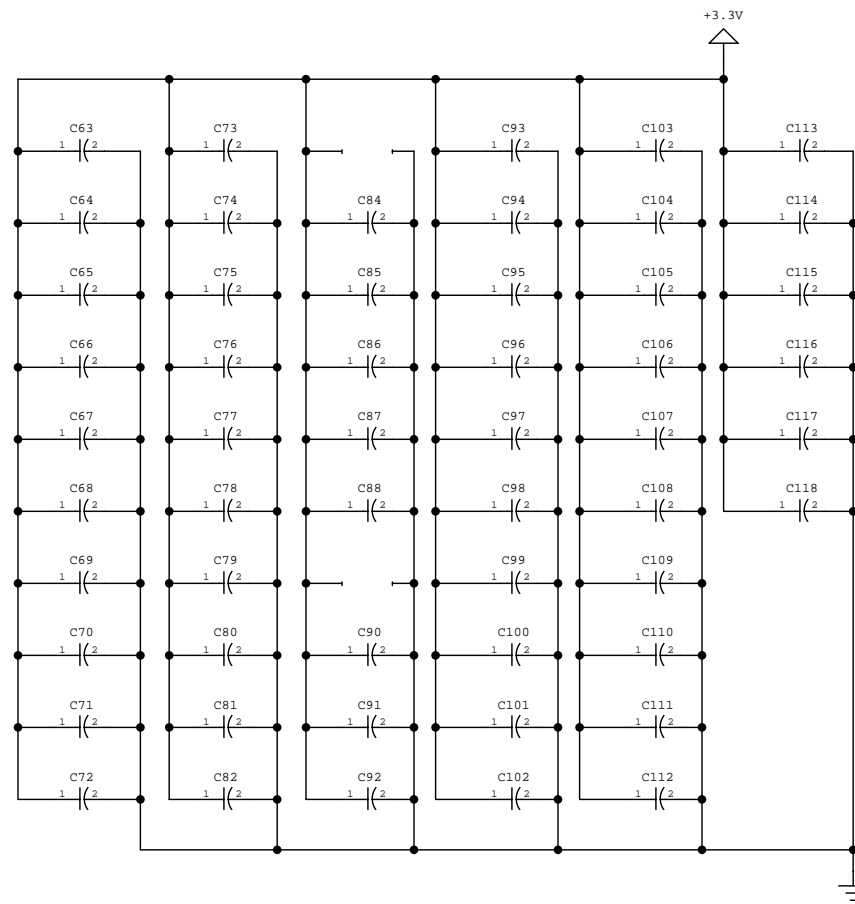
Project Title : TIM3B
Drawn by : S.Sato,N.Yagi
Last Mod. Date : 04/7/18
Page Title : POWER
Page Number : 8 of 11







Project Title : TTM3B
Drawn by : S.Sato N.Yagi
Last Mod. Date : 04/7/18
Page Title : LVDS capa
Page Number : 10 of 11



Project Title : TIM3B
Drawn by :S.Sato N.Yagi
Last Mod. Date : 04/7/18
Page Title : CAPA
Page Number : 11 of 11