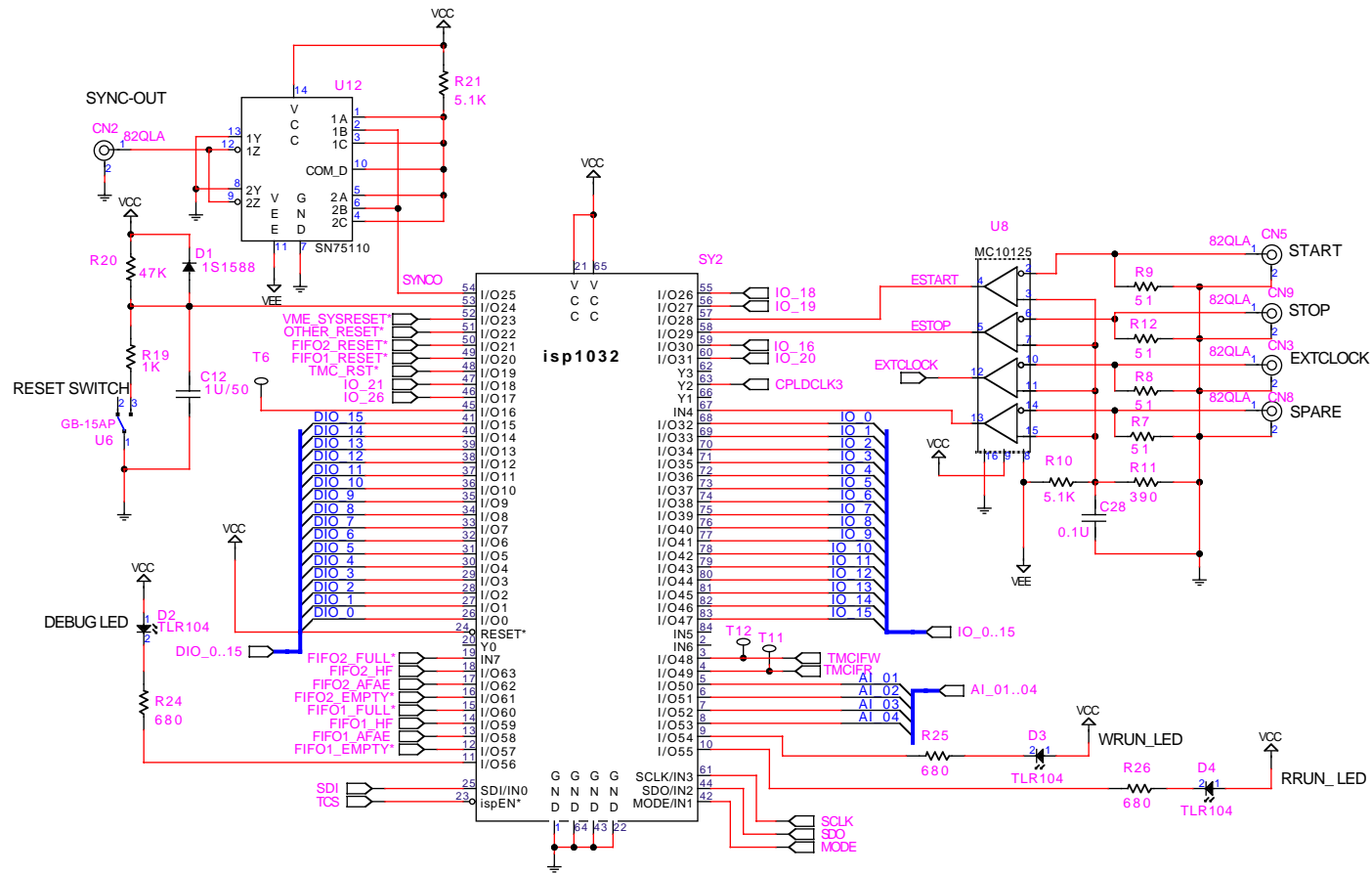
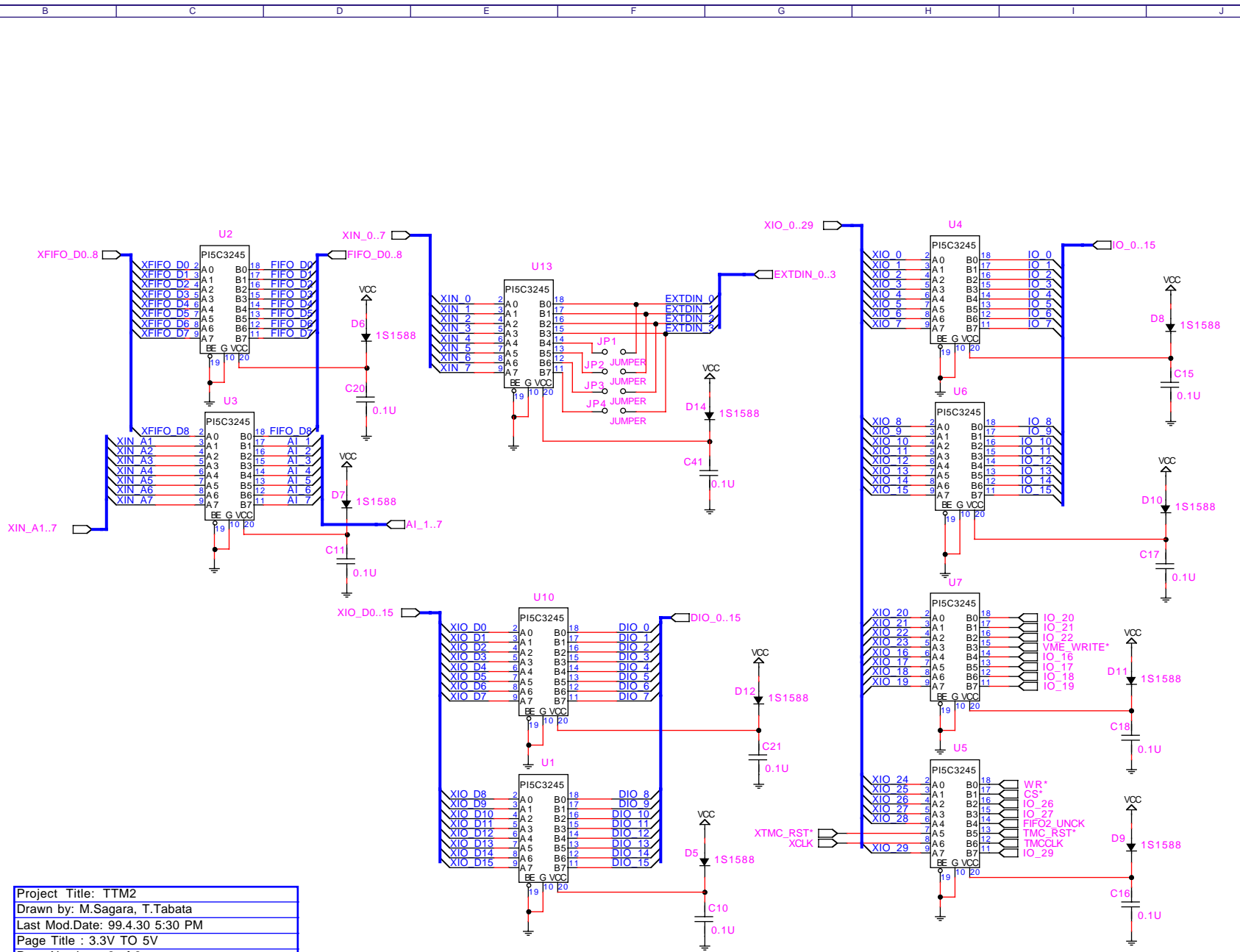
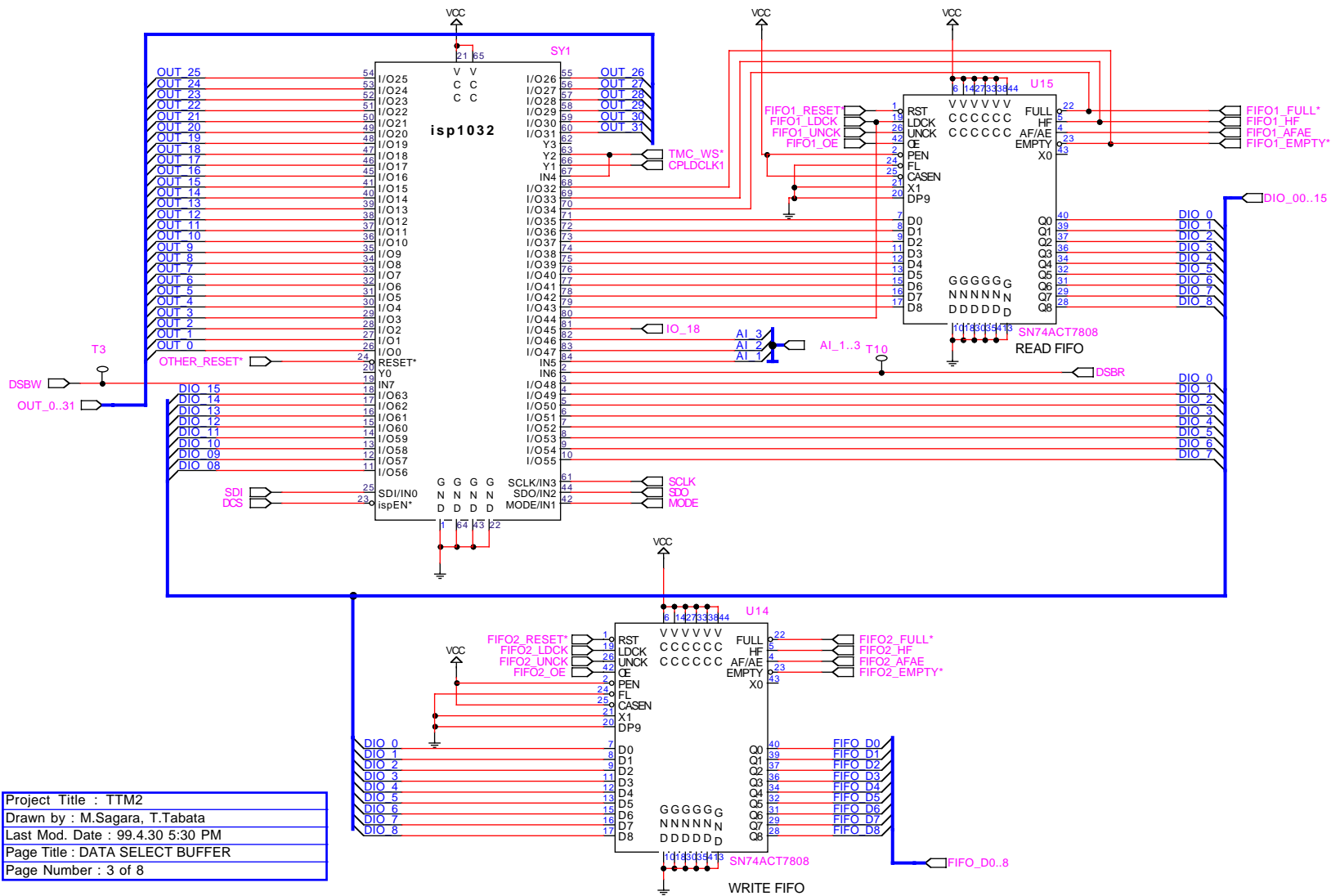


Project Title : TTM2
Drawn by : M.Sagara, T.Tabata
Last Mod. Date : 99.4.30 by Y.Arai
Page Title : TMC I/F
Page Number : 1 of 8

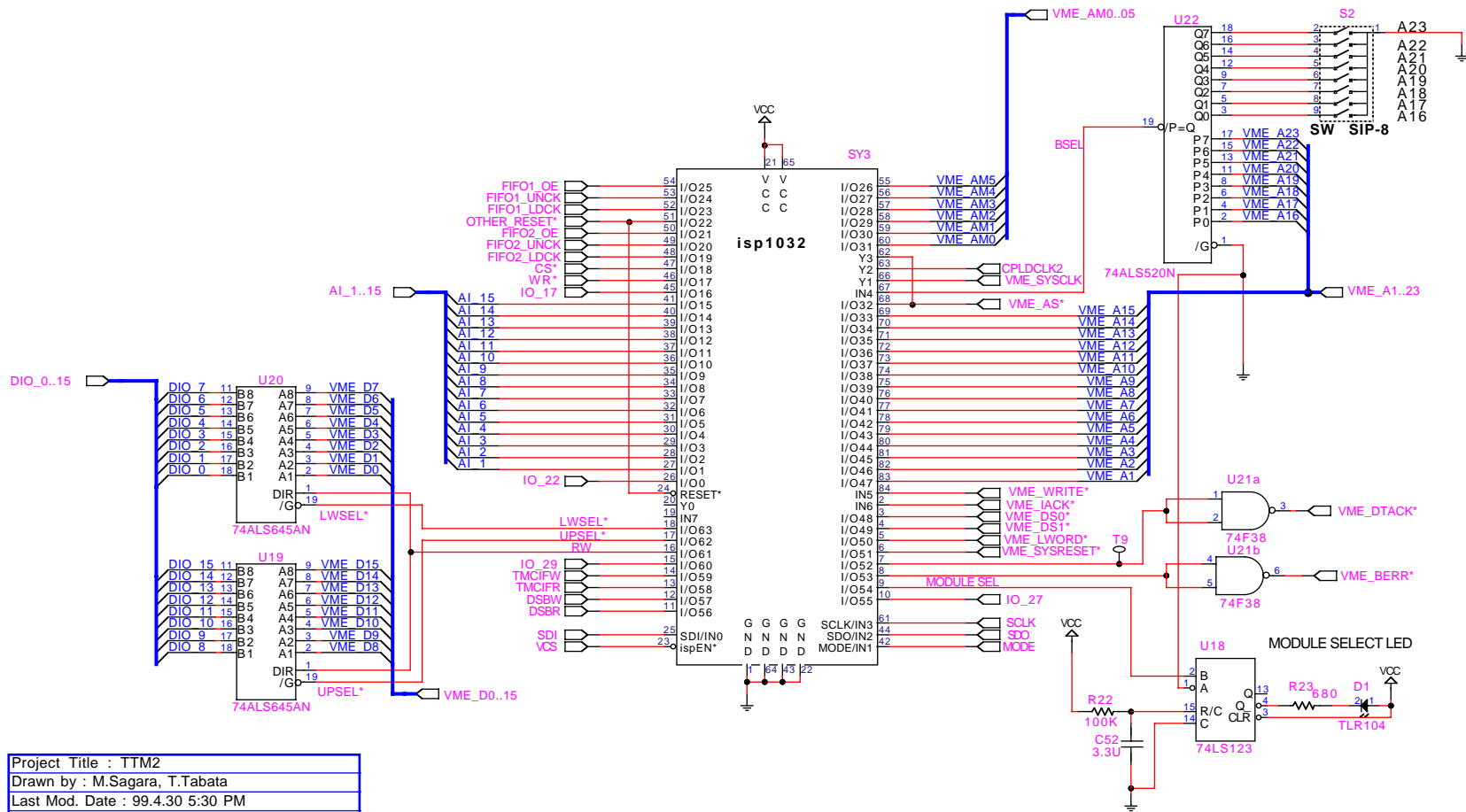




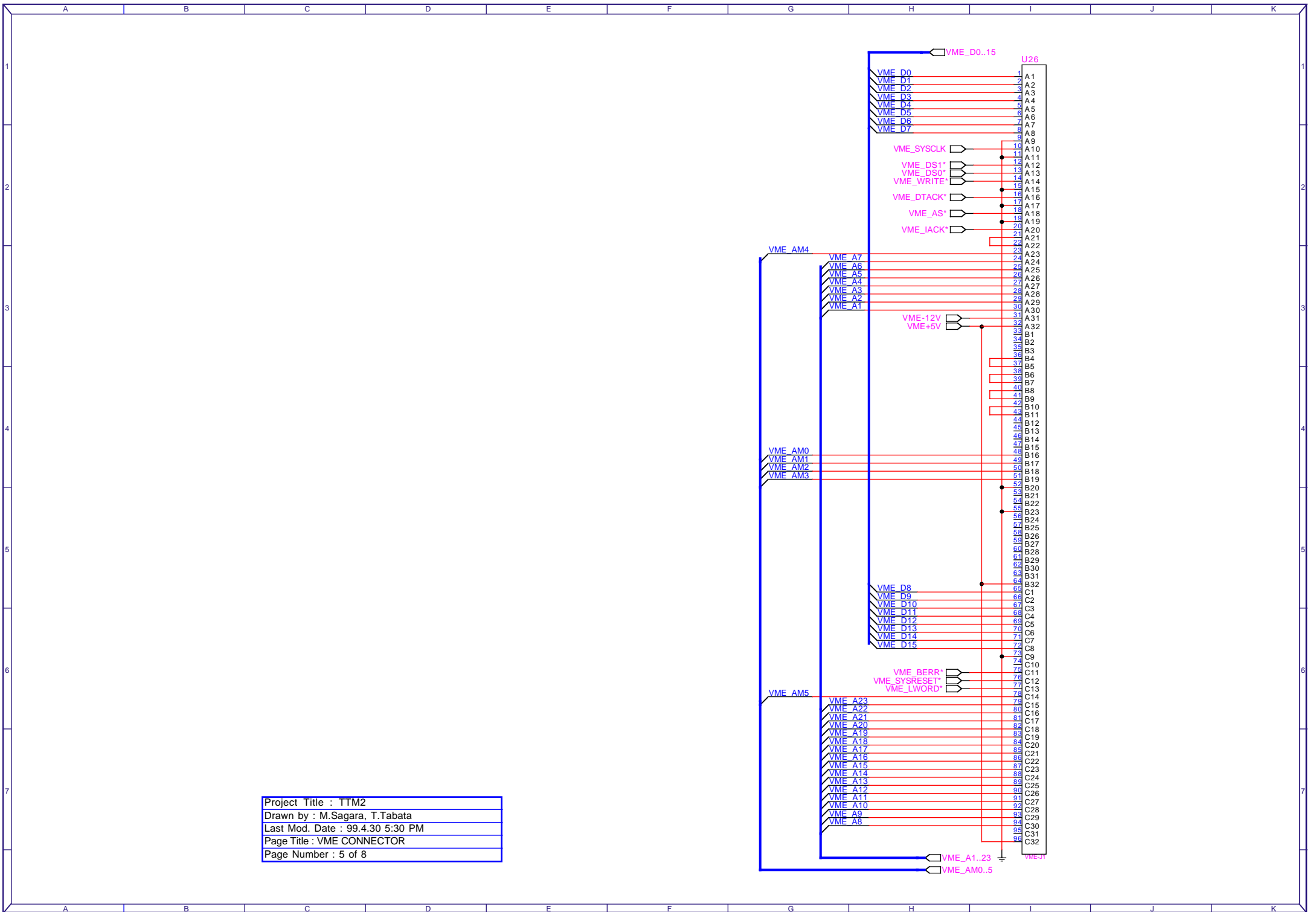
Project Title: TTM2
Drawn by: M.Sagara, T.Tabata
Last Mod.Date: 99.4.30 5:30 PM
Page Title : 3.3V TO 5V
Page Number : 2 of 8



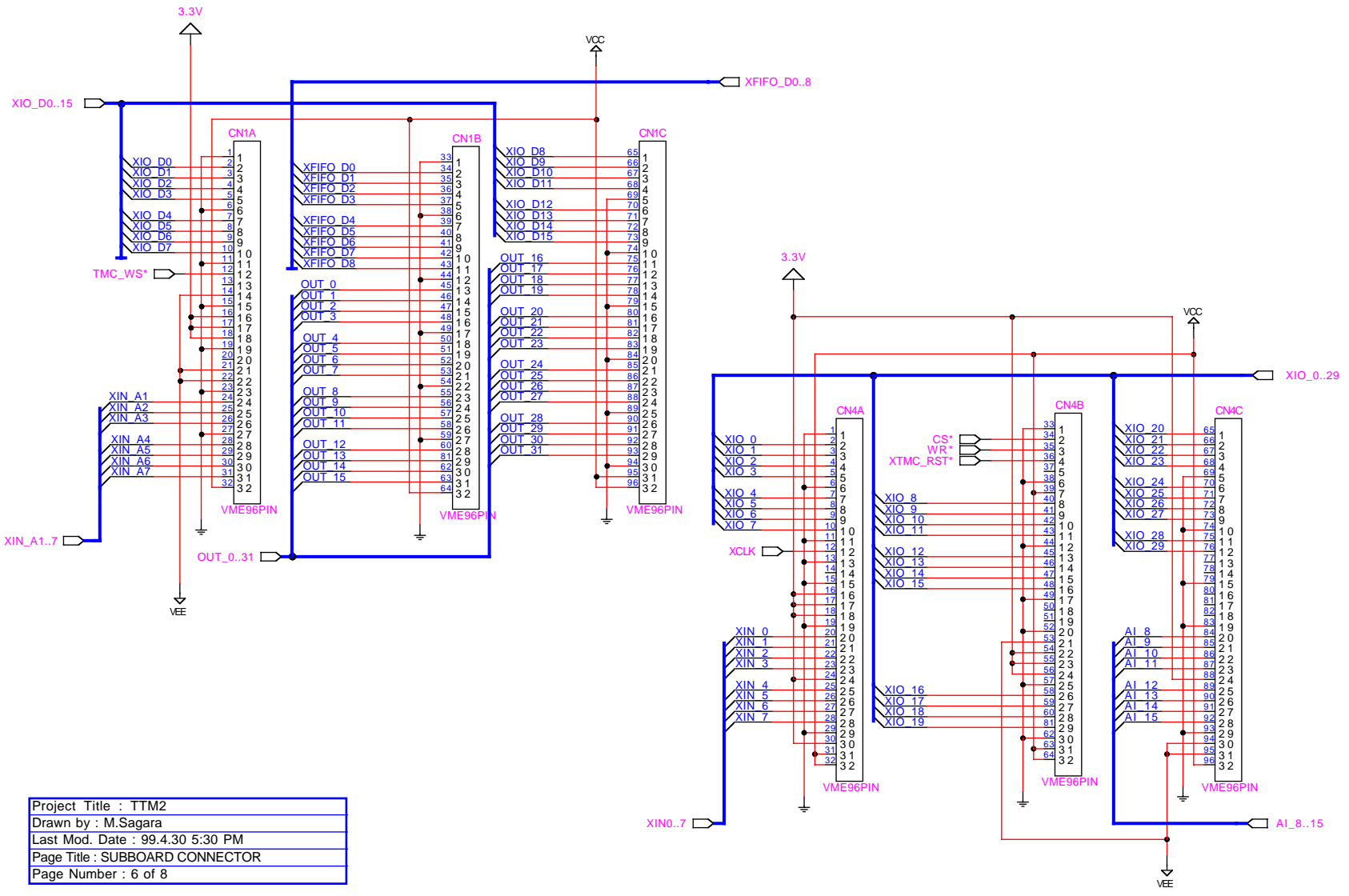
Project Title : TTM2
Drawn by : M.Sagara, T.Tabata
Last Mod. Date : 99.4.30 5:30 PM
Page Title : DATA SELECT BUFFER
Page Number : 3 of 8



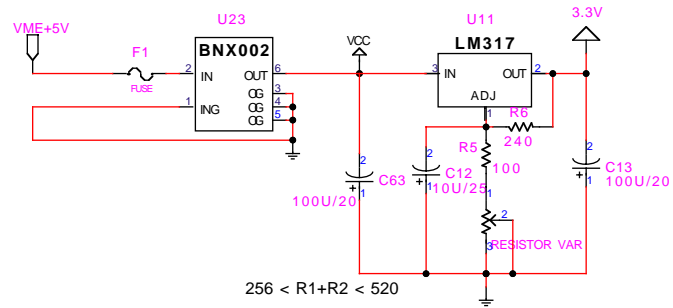
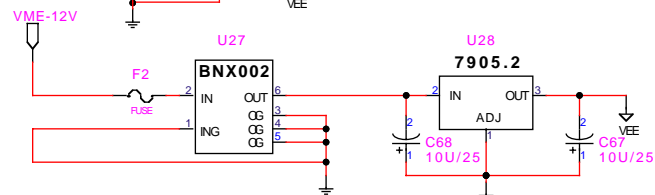
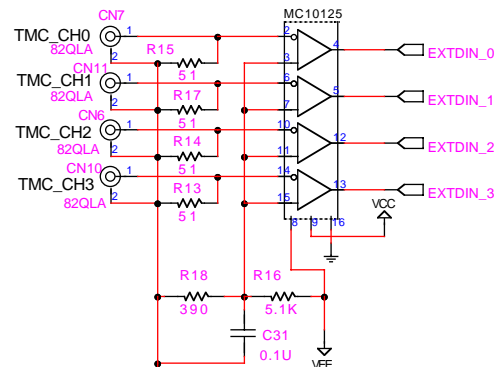
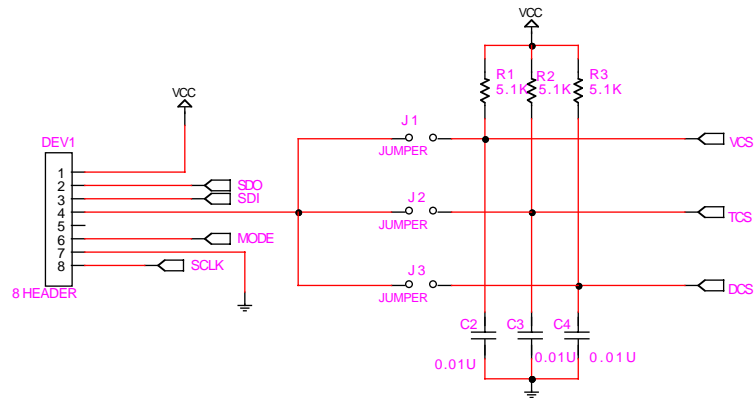
Project Title : TTM2
Drawn by : M.Sagara, T.Tabata
Last Mod. Date : 99.4.30 5:30 PM
Page Title : VME I/F
Page Number : 4 of 8



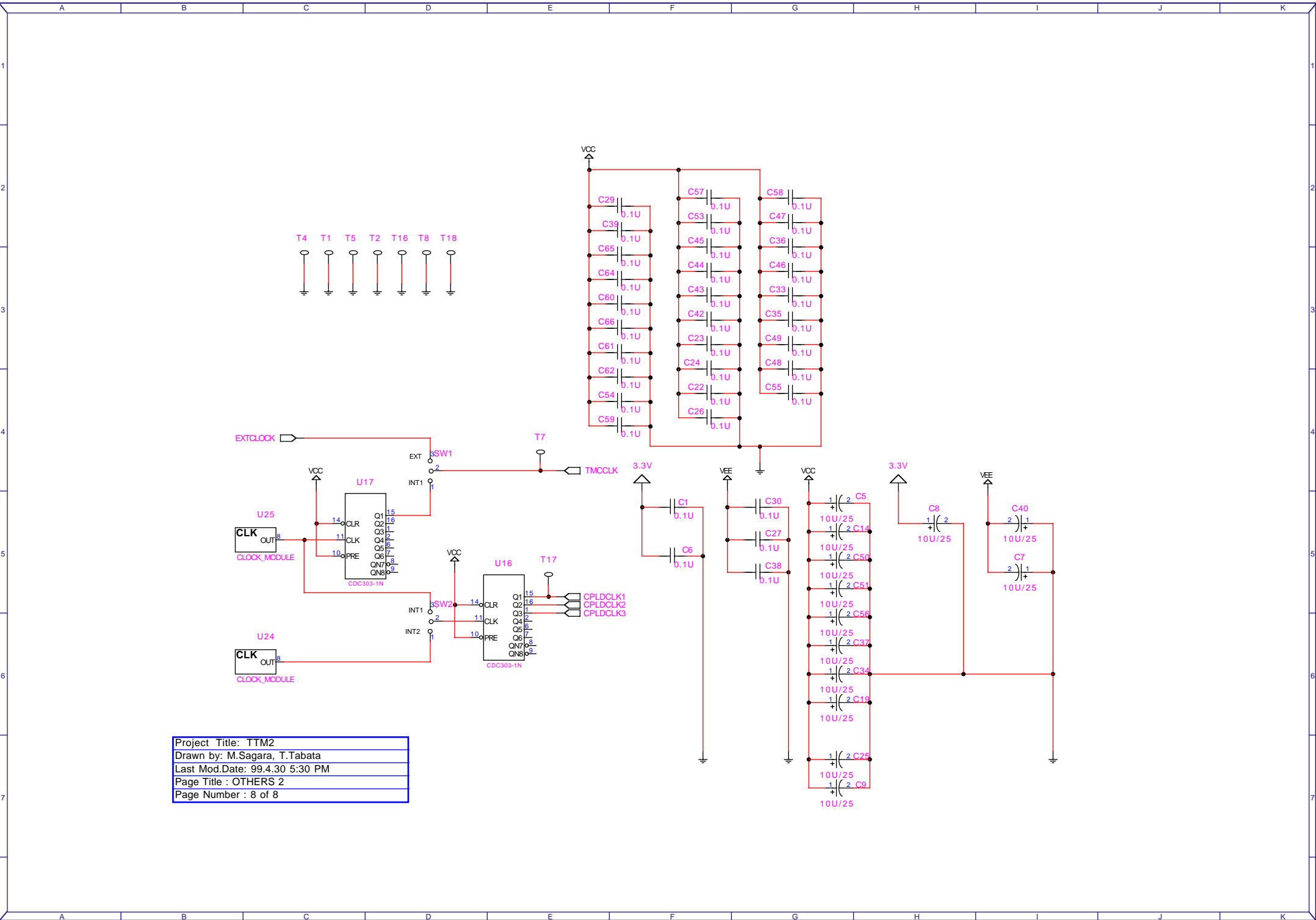
Project Title : TTM2
Drawn by : M.Sagara, T.Tabata
Last Mod. Date : 99.4.30 5:30 PM
Page Title : VME CONNECTOR
Page Number : 5 of 8



Project Title : TTM2
Drawn by : M.Sagara
Last Mod. Date : 99.4.30 5:30 PM
Page Title : SUBBOARD CONNECTOR
Page Number : 6 of 8



Project Title : TTM2
Drawn by : M.Sagara, T.Tabata
Last Mod. Date : 99.4.30 5:30 PM
Page Title : OTHERS 1
Page Number : 7 of 8



Project Title: TTM2
Drawn by: M.Sagara, T.Tabata
Last Mod.Date: 99.4.30 5:30 PM
Page Title : OTHERS 2
Page Number : 8 of 8