
LOI EXPERIMENTS:

May/June 2008 AT THE HALL 2

Y Irie and K Muto, KEK

Work Plan and Present Status

L0ExperimentPlanMay-June2008atR5.4.xls

DRAFT

Revised 2008/5/7
YI

	May											June																													
	19	20	21	22	23	24	25	26	27	28	29	30	31	1	2	3	4	5	6	7	8	9	10	11	12	13	14	15	16	17	18	19	20	21	22	23	24	25			
	M	T	W	Th	F	Sa	S	M	T	W	Th	F	Sa	S	M	T	W	Th	F	Sa	S	M	T	W	Th	F	Sa	S	M	T	W	Th	F	Sa	S	M	T	W			
ISIS machine setup												----->																													
ISIS user cycle	←-----											←-----																													
Y Irie	←-----											←-----																													
K Muto	←-----											←-----																													
Availability for Experiments	Swept mode, MCR RF control system											No bias supply																													
Establish stable operation with swept mode																																									
•stable operation in situ																																									
•investigate waveform distortions																																									
•stable operation controlled by MCR (AVC-, phase-loops ON)																																									
Investigate waveform distortions with no bias																																									
Impedance Measurements by using liquid resistor																																									
Breakout Box at SP6																																									
Cabling to SP6																																									
•lay cables																																									
•cable terminations and check																																									

X (Not started)

X (Not started)

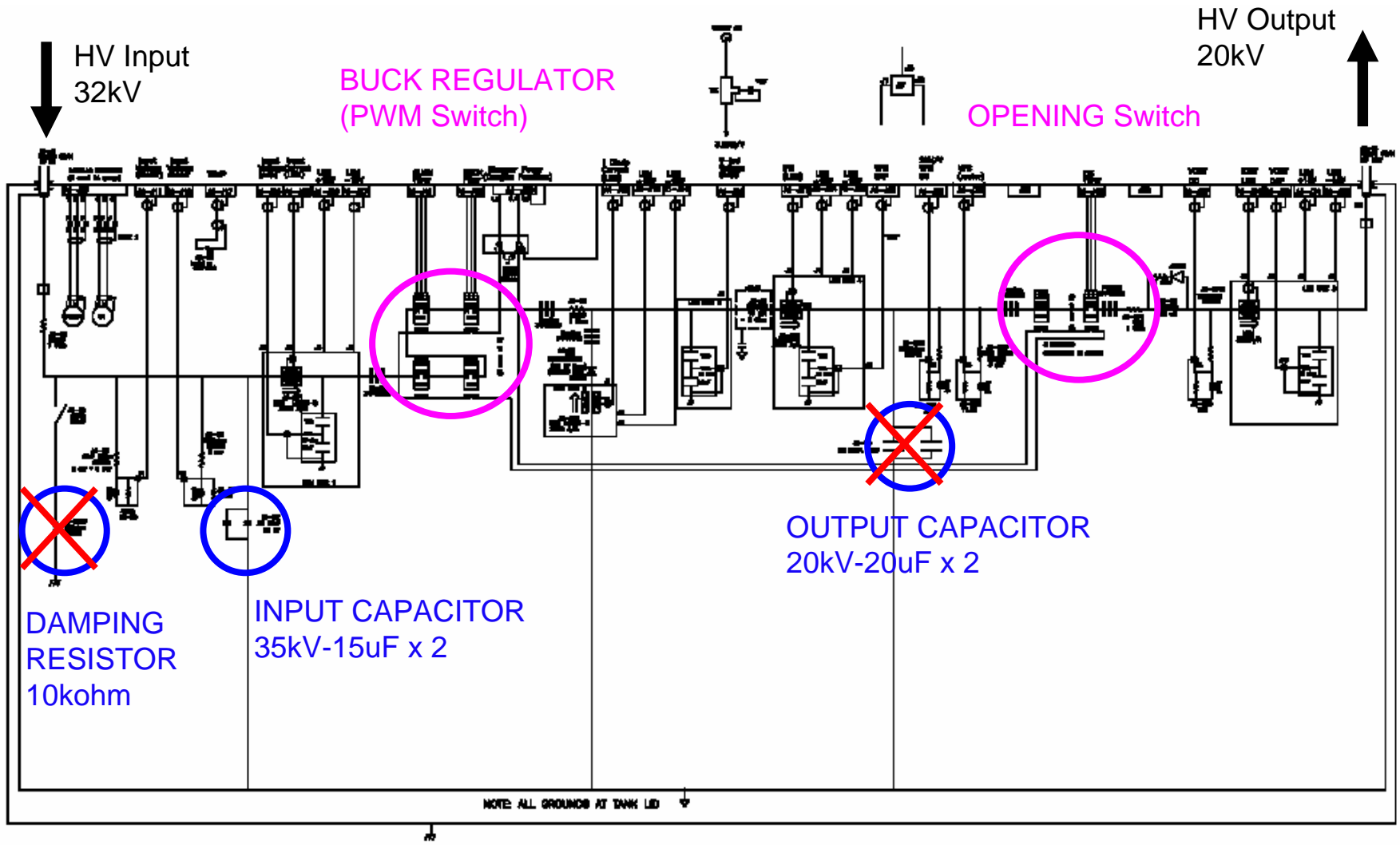
△ liquid resistor installed

} in preparation

Actual

- BR failure, May 23 ~ June 3.
- Water leak at the cooling circuit for tetrode, June 3 ~ June 5.
- Extension cables still to be ordered.
 - half of them in hand, but not laid between Hall2 and SP6

BR schematic



BR failure

On May 23, Friday, insulation oil of the BR spurted out through its safety valve with a big sound.

- Inspected inside by lifting up the BR modules from the BR tank.
- Found,
 - (1) damping resistor is broken,
 - (2) flashover of the output capacitor between output terminal and capacitor chassis.

BR failure (2)

Broken damping resistor



Flashover of the output capacitor



Liquid Resistor (LR)

LR installed in place of ferrite cavity



Water Leak

Vinyl chloride water-pipe came off for tetrode cooling

