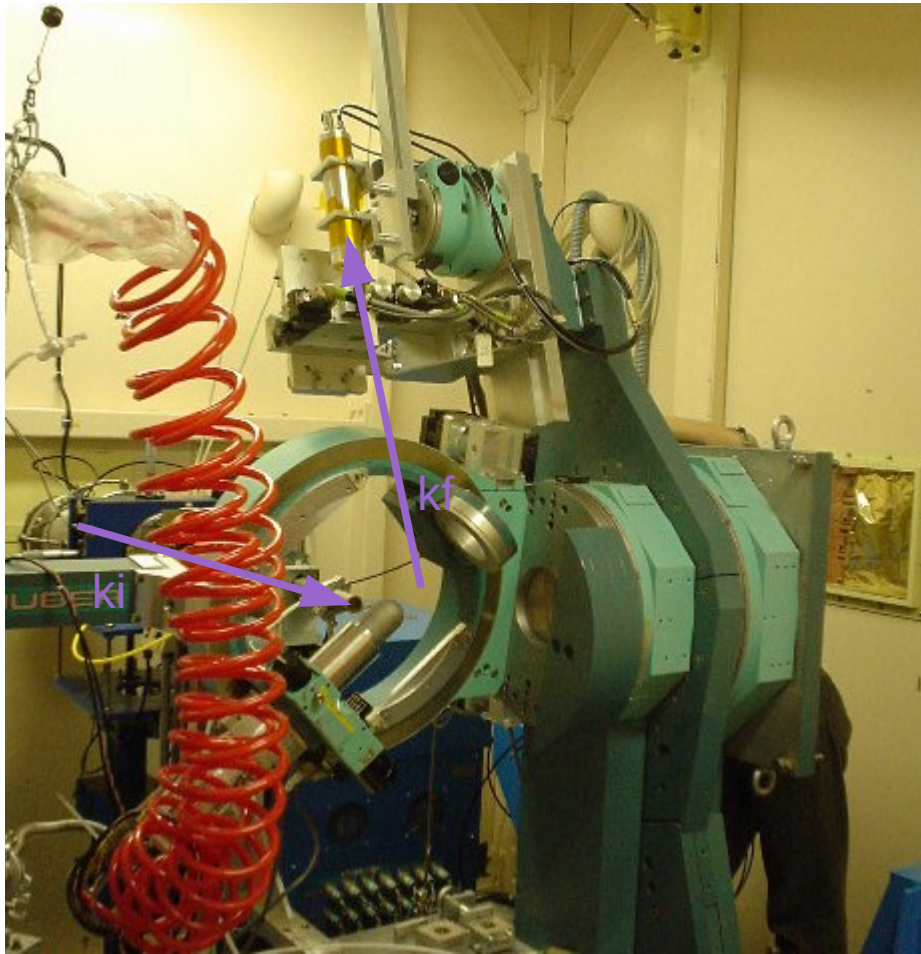
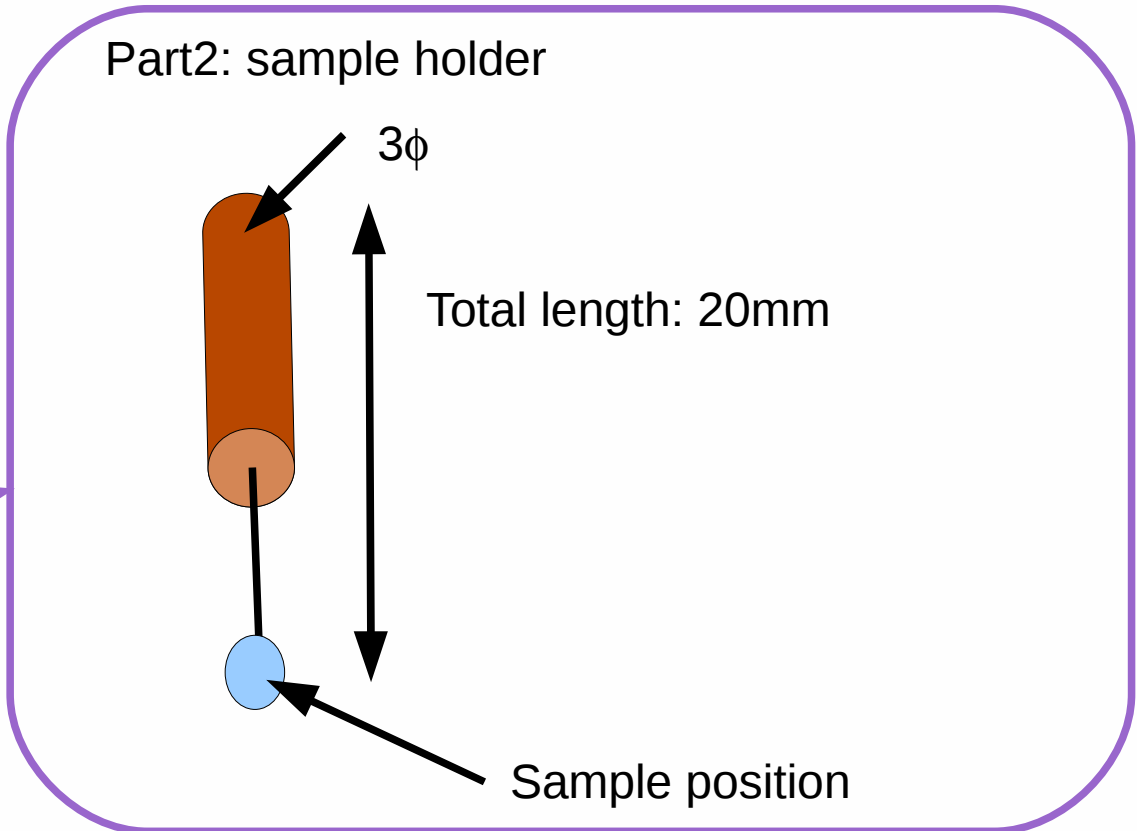
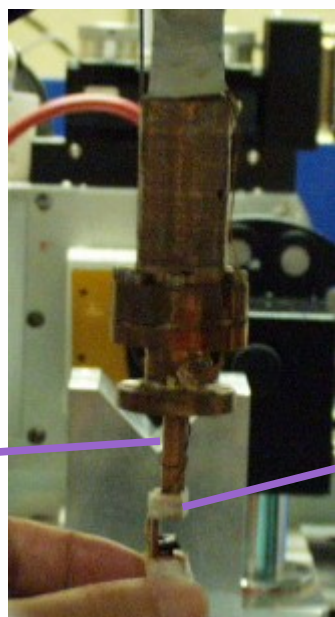


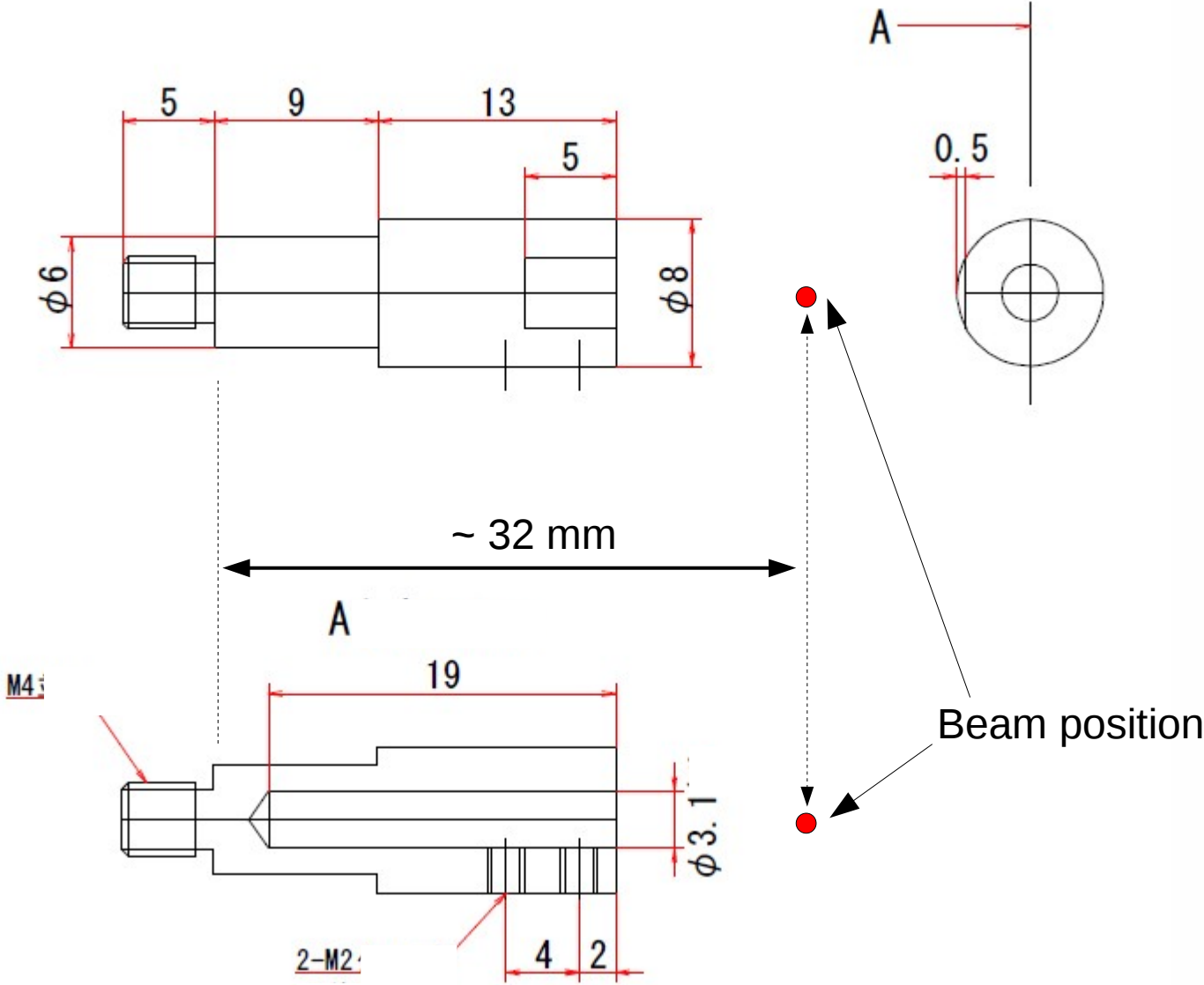
BL-4C Huber 4-circle diffractometer  
with closed cycle He cryostat





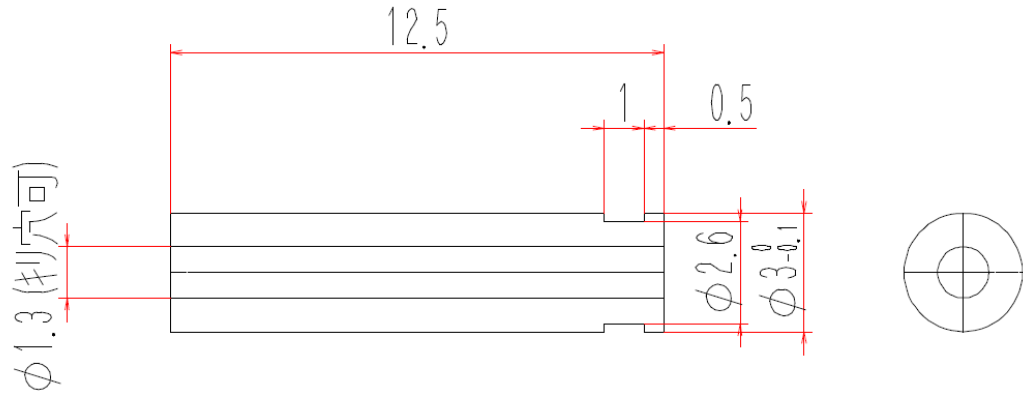
Part1

# Part1



# Part2: sample holder

## Holder: type 1



## Holder: type 2

