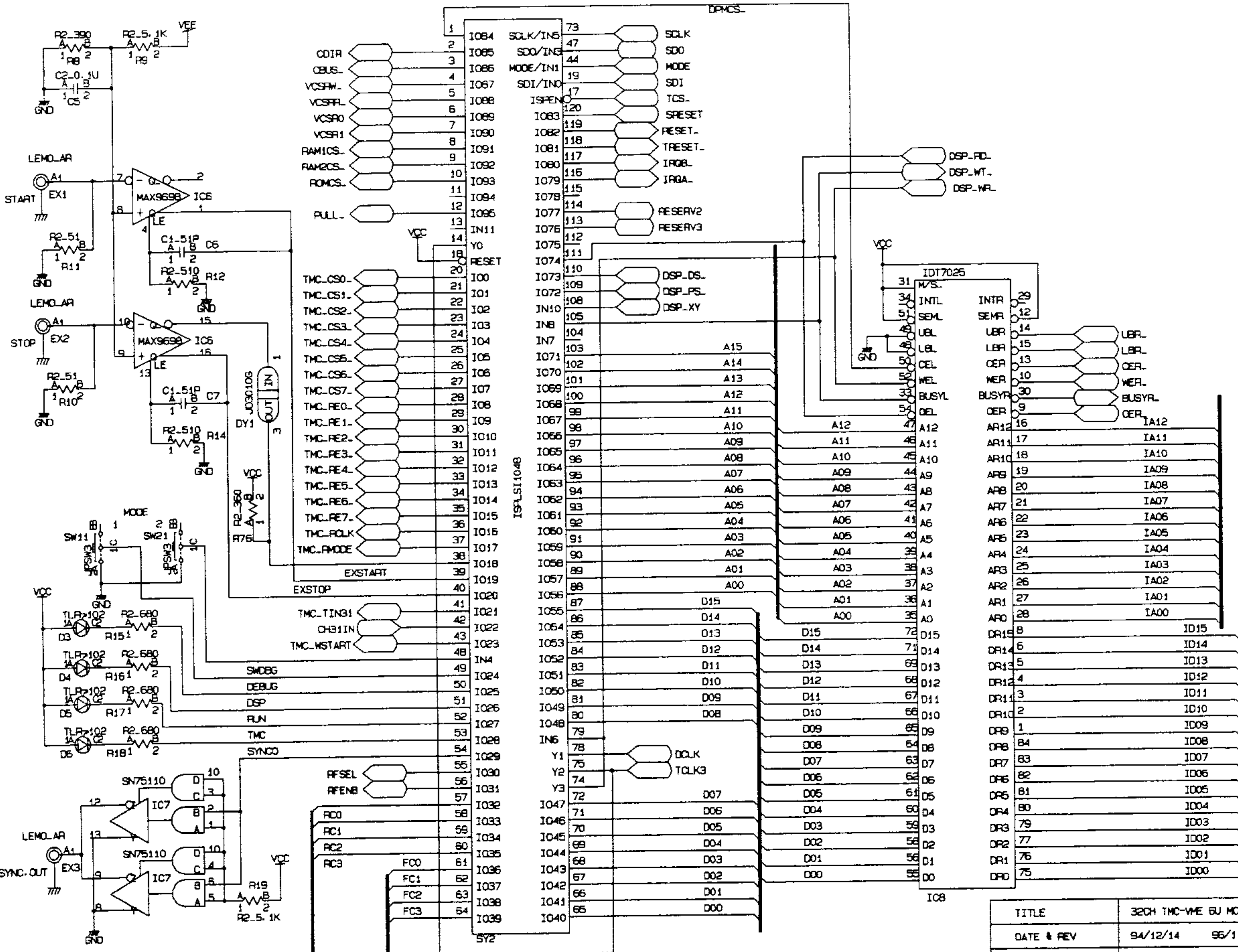
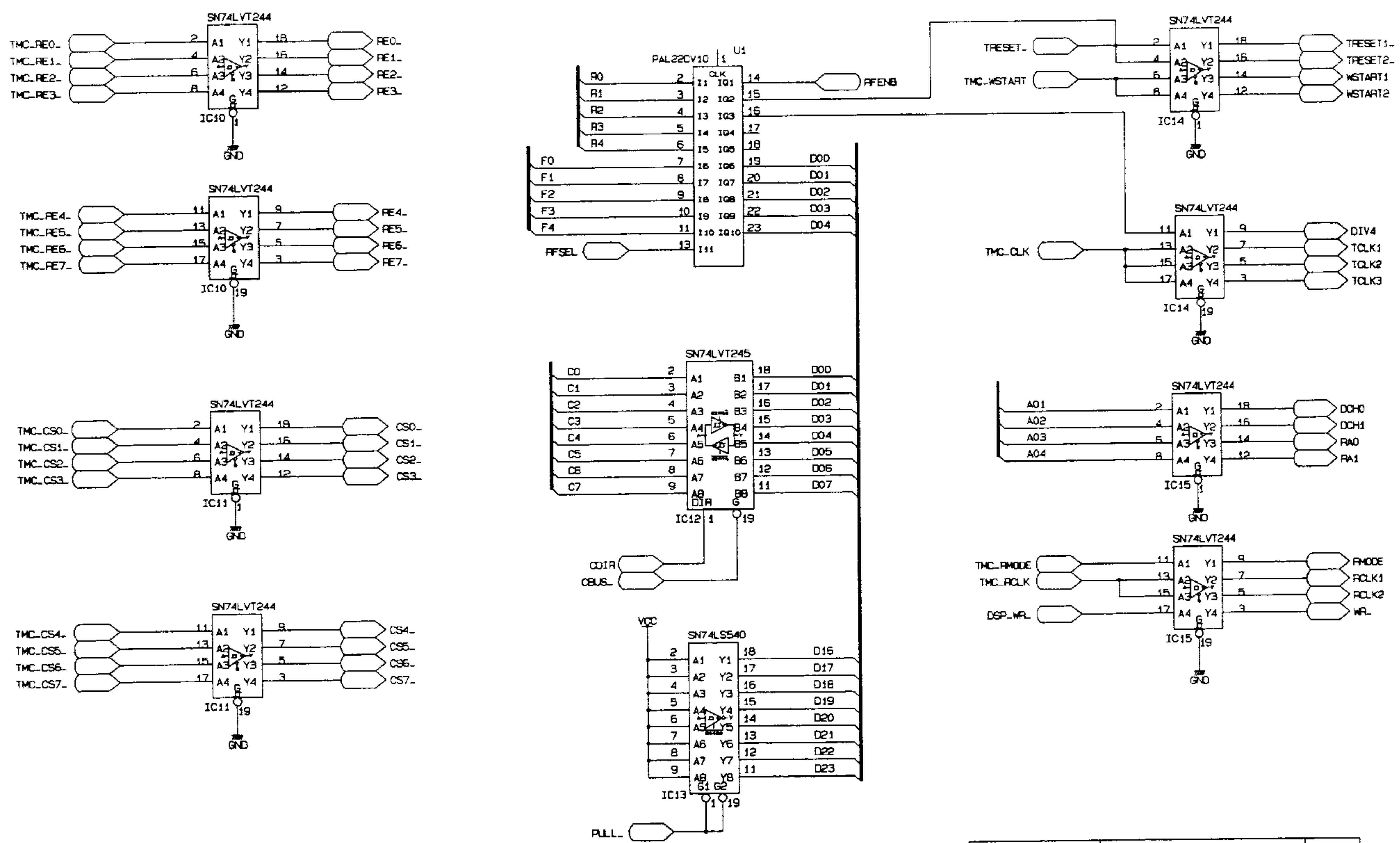


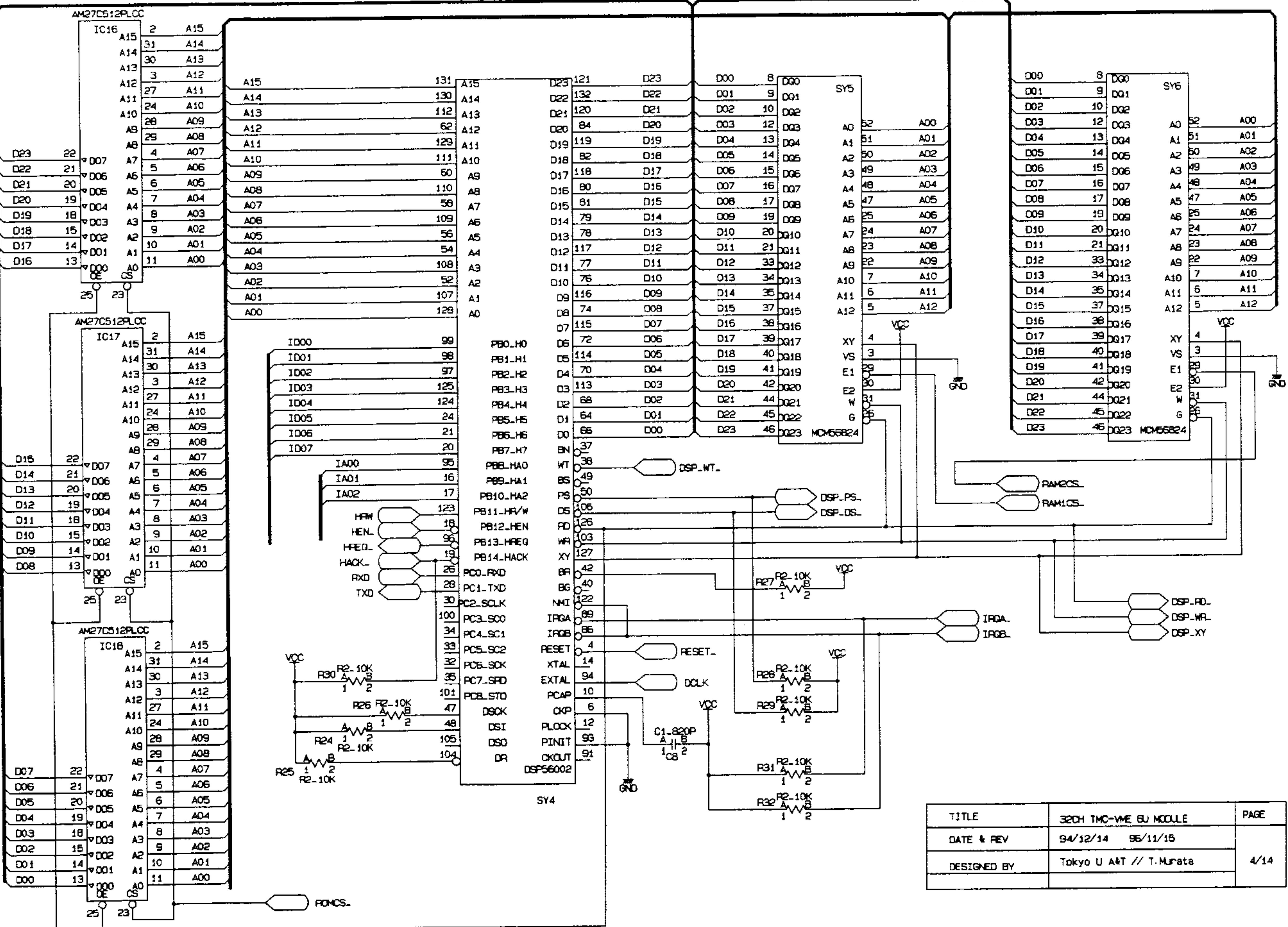
TITLE	32CH TMC-VME 6U MODULE	PAGE
DATE & REV	94/12/14 95/11/15	1/14
DESIGNED BY	Tokyo U ANT // T.Murata	



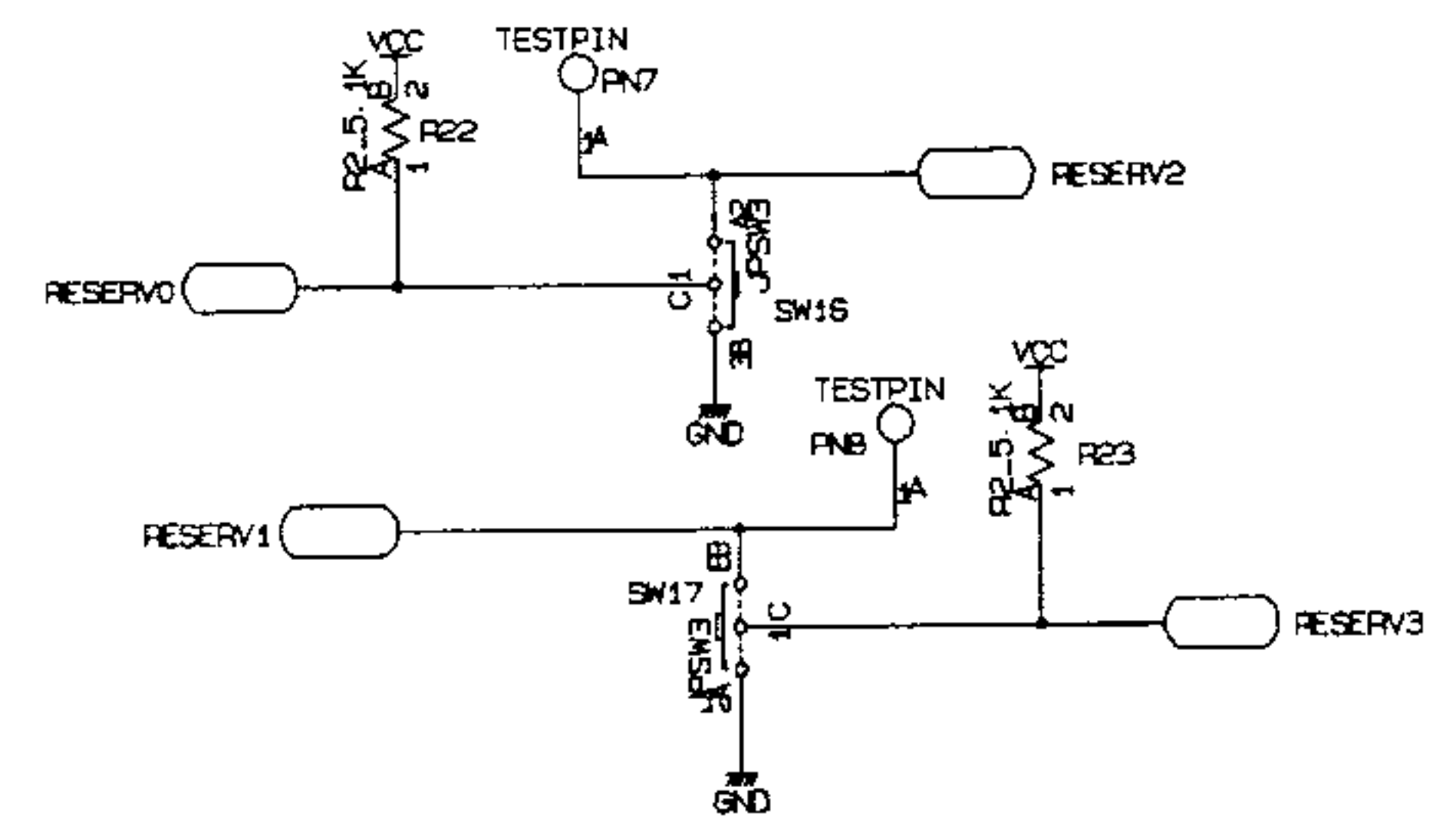
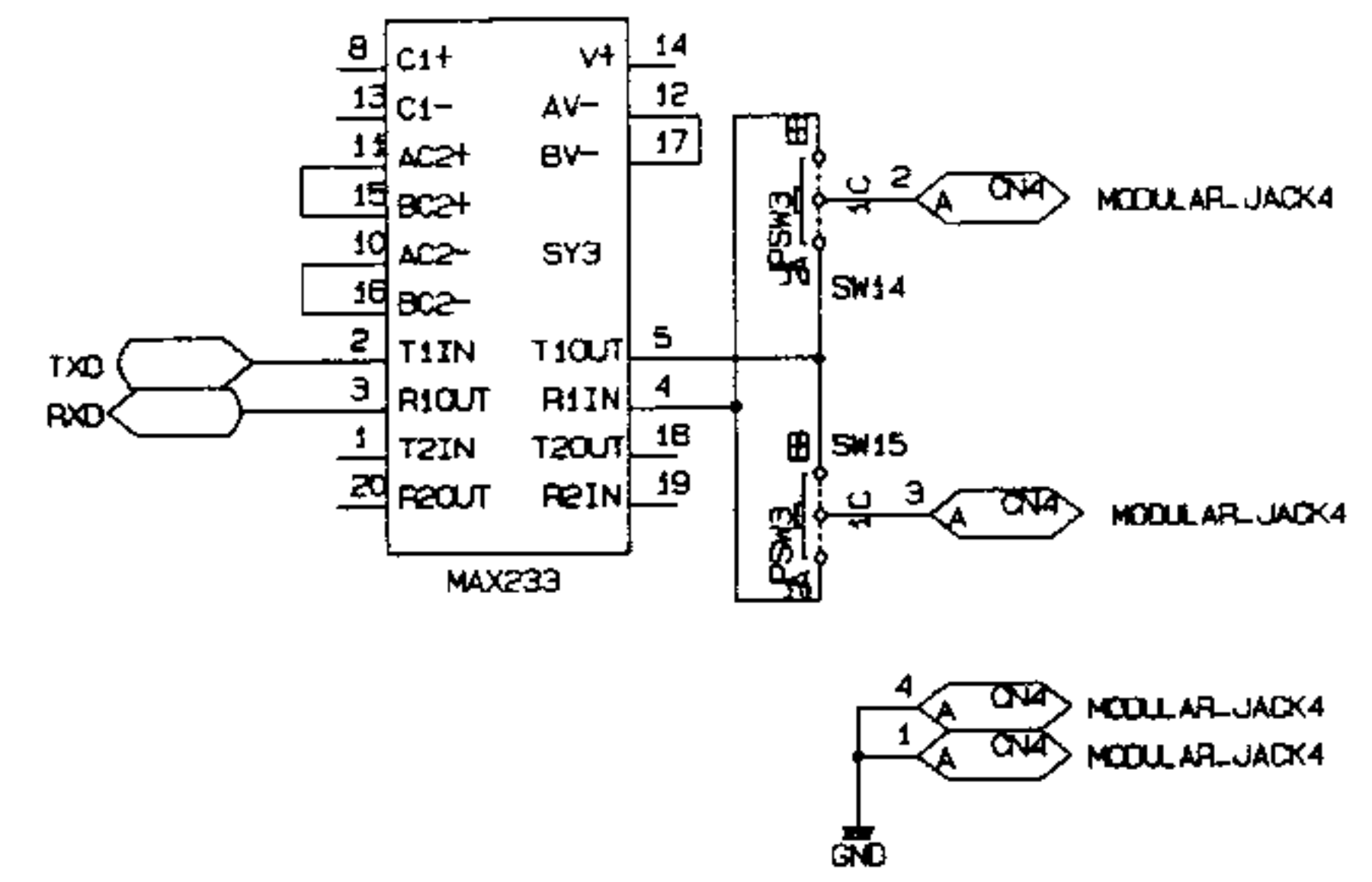
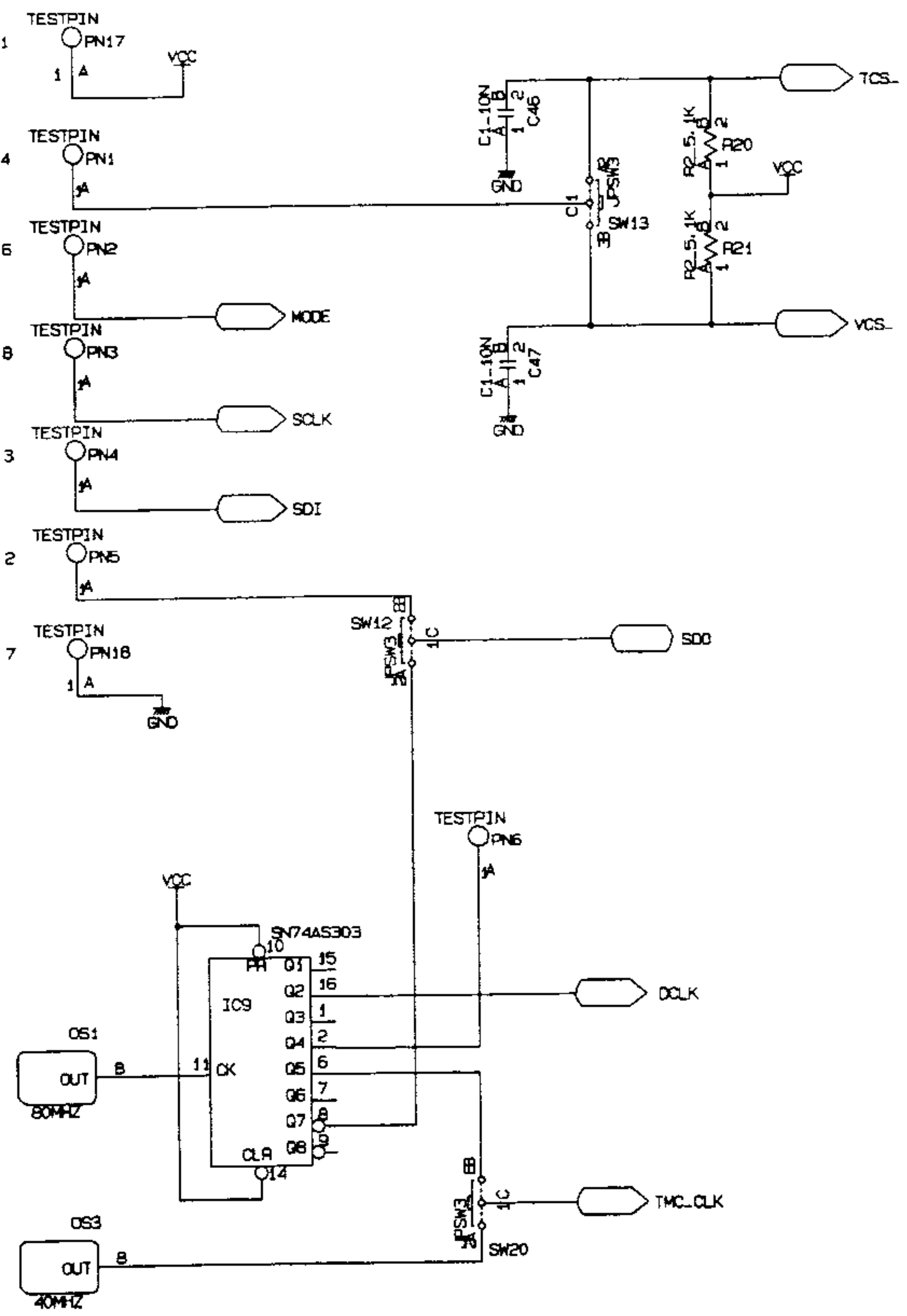
TITLE	32CH TMC-WE BU MODULE	PAGE
DATE & REV	94/12/14 95/11/15	2/14
DESIGNED BY	Tokyo U A&T // T.Murata	



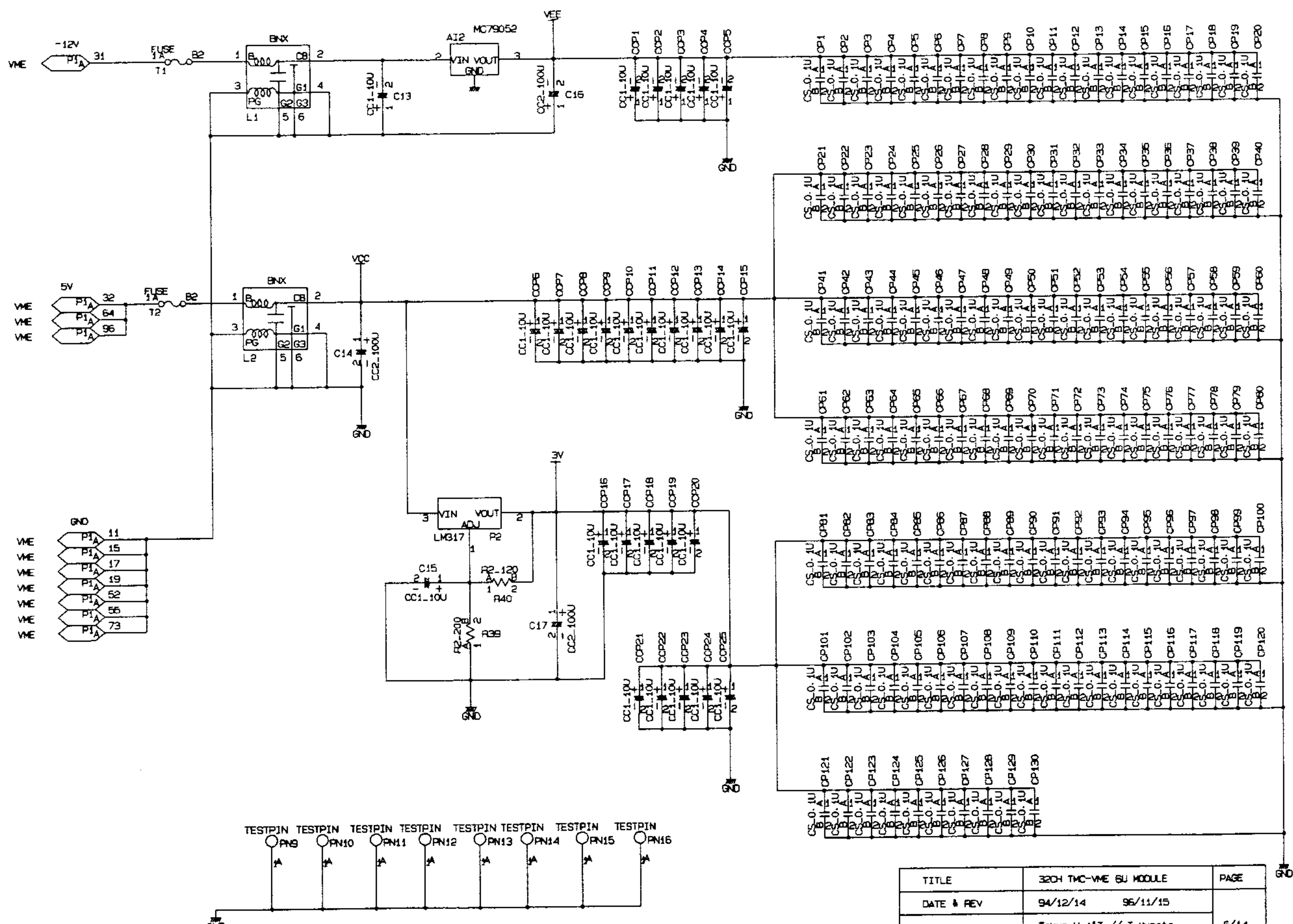
TITLE	32CH TMC-VME BU MODULE	PAGE
DATE & REV	94/12/14 96/11/15	3/14
DESIGNED BY	Tokyo U A&T // T.Murata	



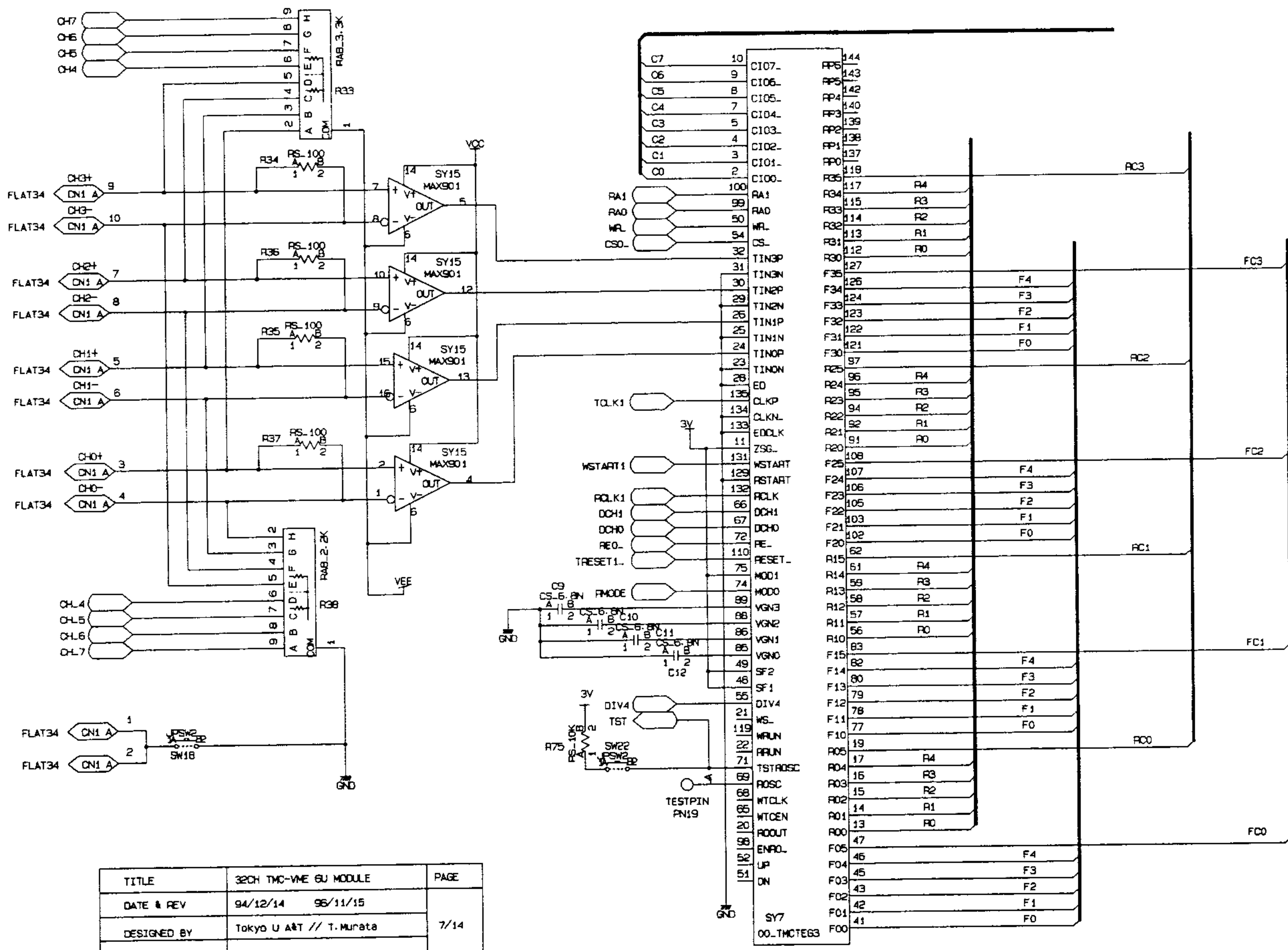
TITLE	32CH TMC-WME BU MODULE	PAGE
DATE & REV	94/12/14 95/11/15	4/14
DESIGNED BY	Tokyo U A&T // T.Murata	



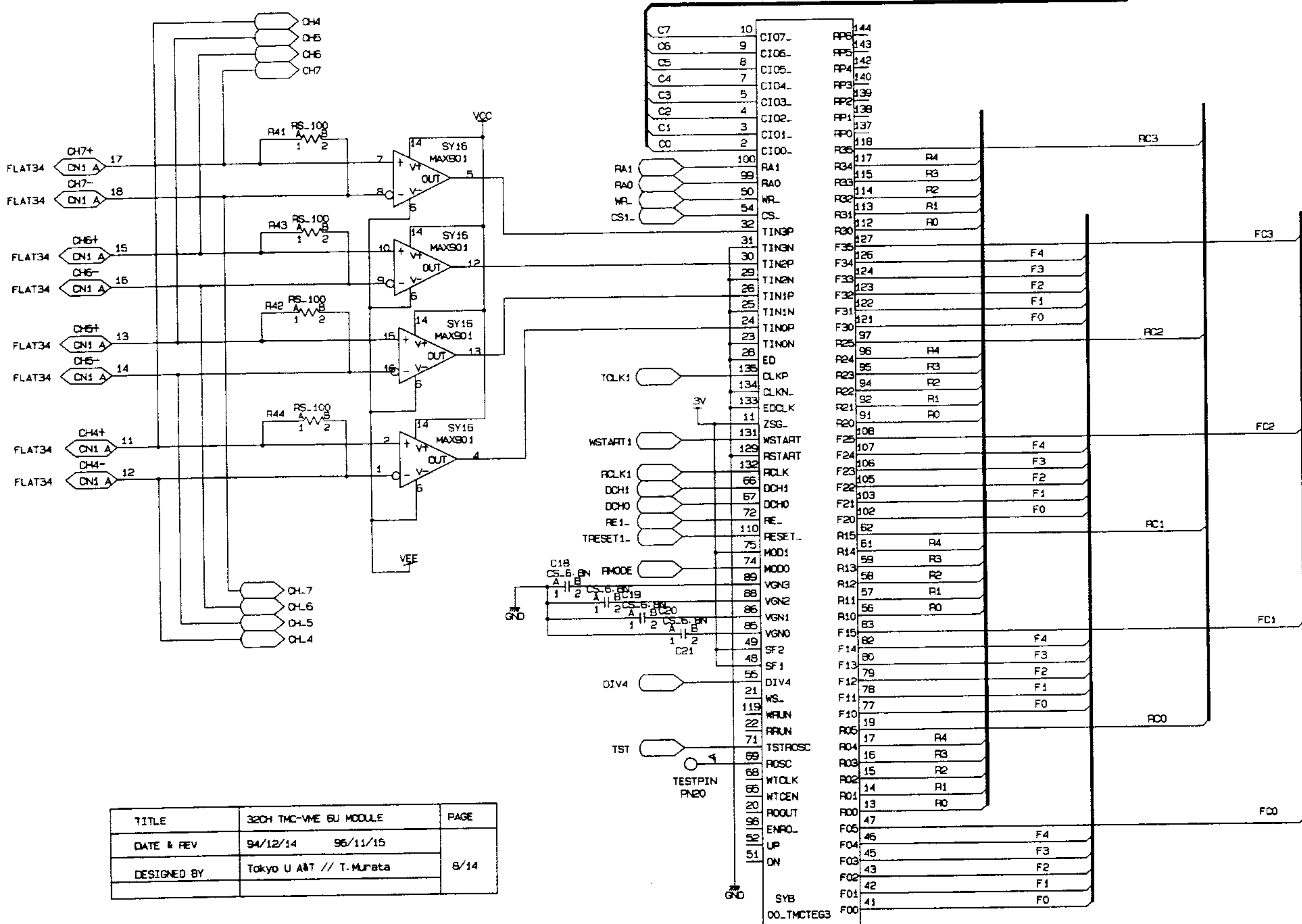
TITLE	32CH TMC-VME BU MODULE	PAGE
DATE & REV	94/12/14 96/11/15	5/14
DESIGNED BY	Tokyo U A&T // T.Murata	



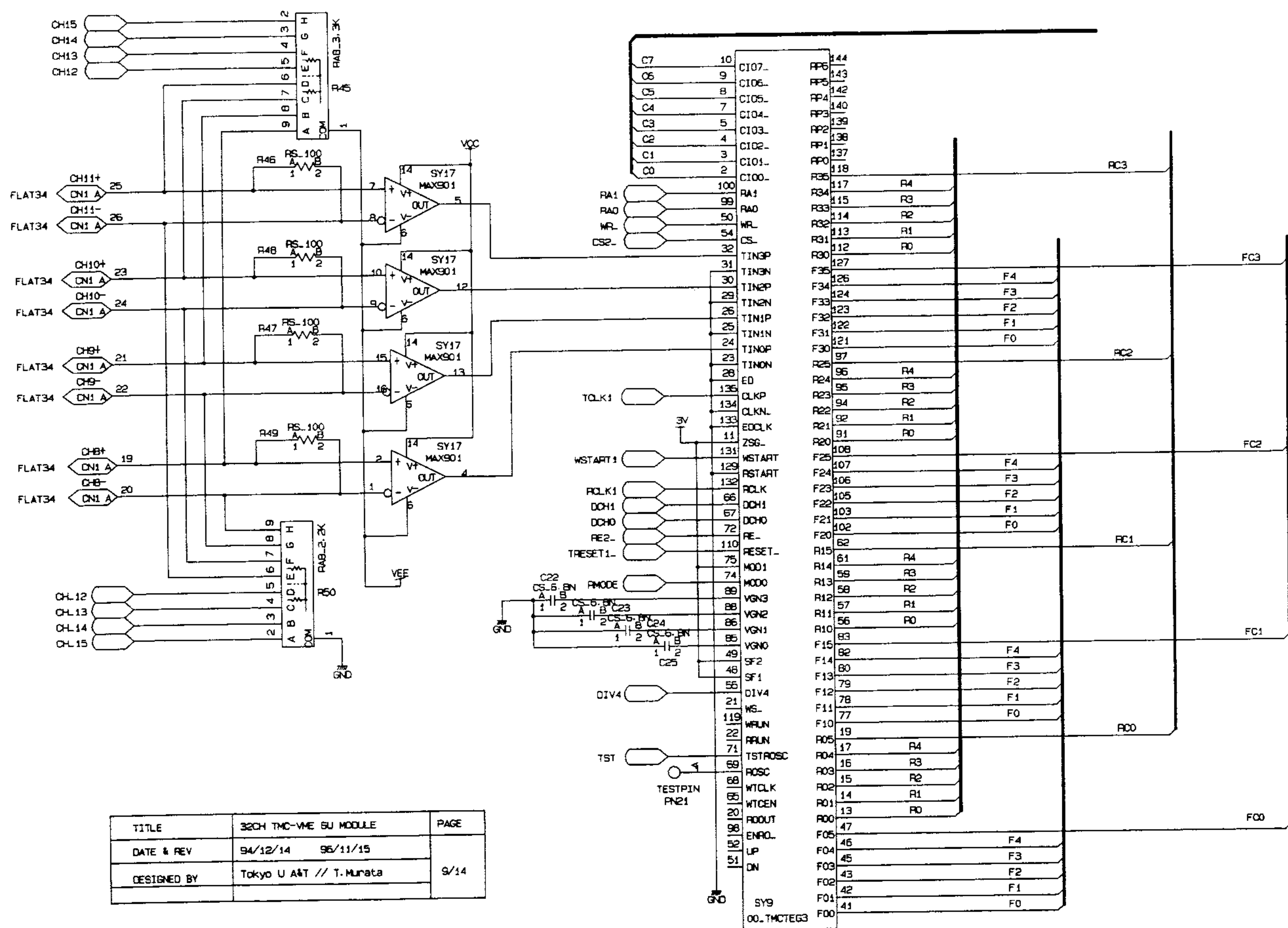
TITLE	32CH TMC-VME 6U MODULE	PAGE
DATE & REV	94/12/14 96/11/15	6/14
DESIGNED BY	Tokyo U A&T // T. Murata	



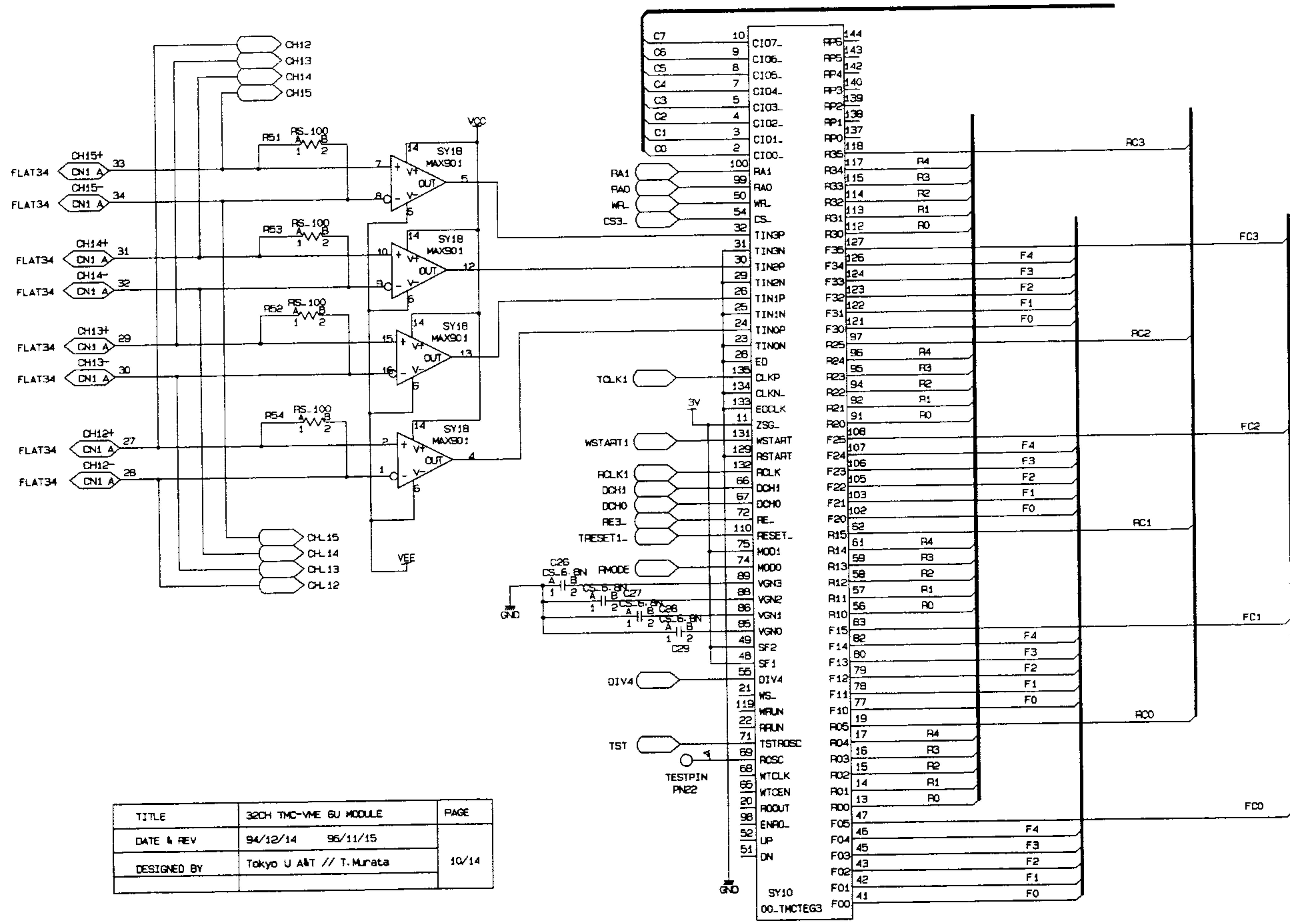
TITLE	32CH TMC-VME 6U MODULE	PAGE
DATE & REV	94/12/14 96/11/15	7/14
DESIGNED BY	Tokyo U A&T // T. Murata	



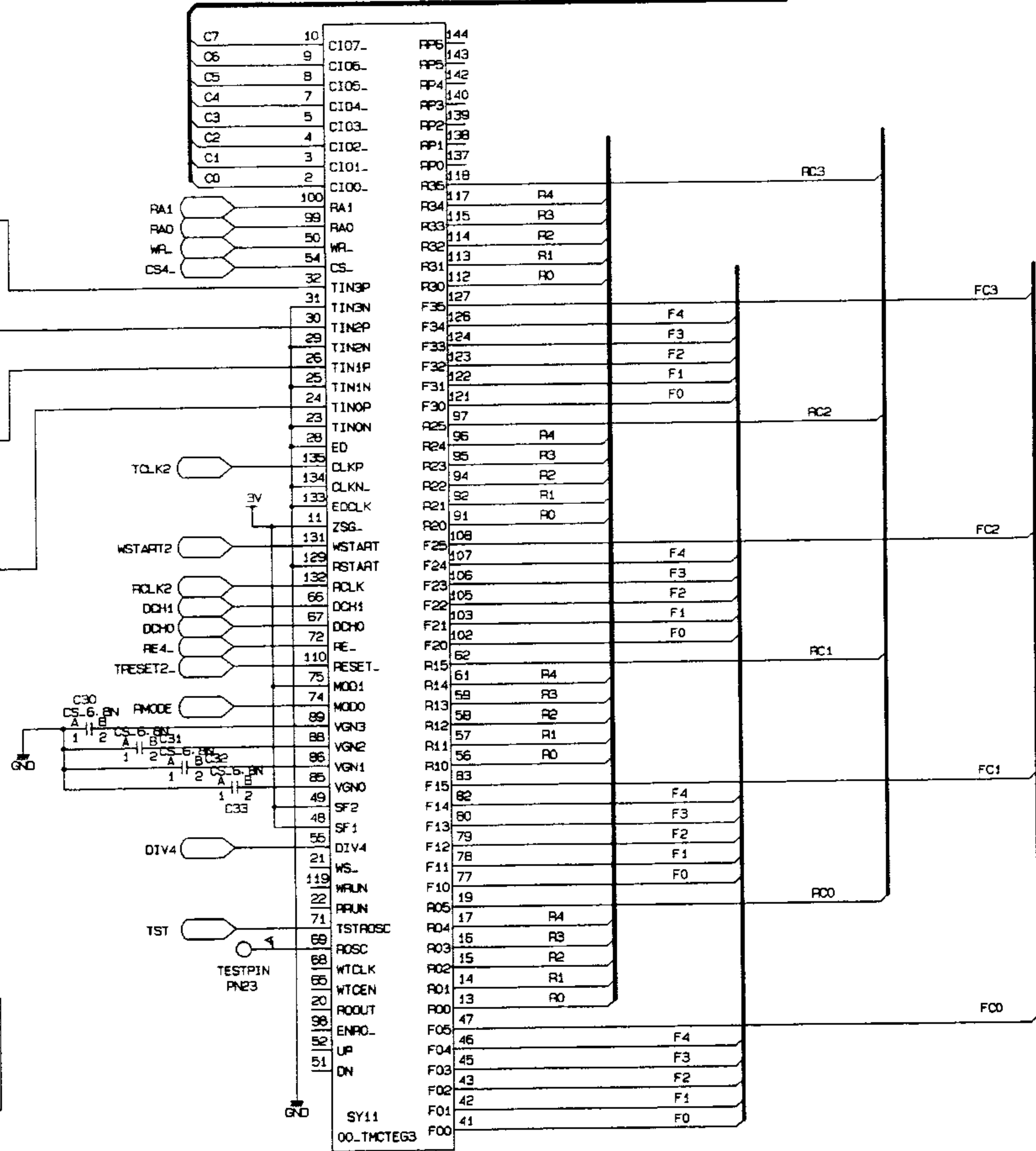
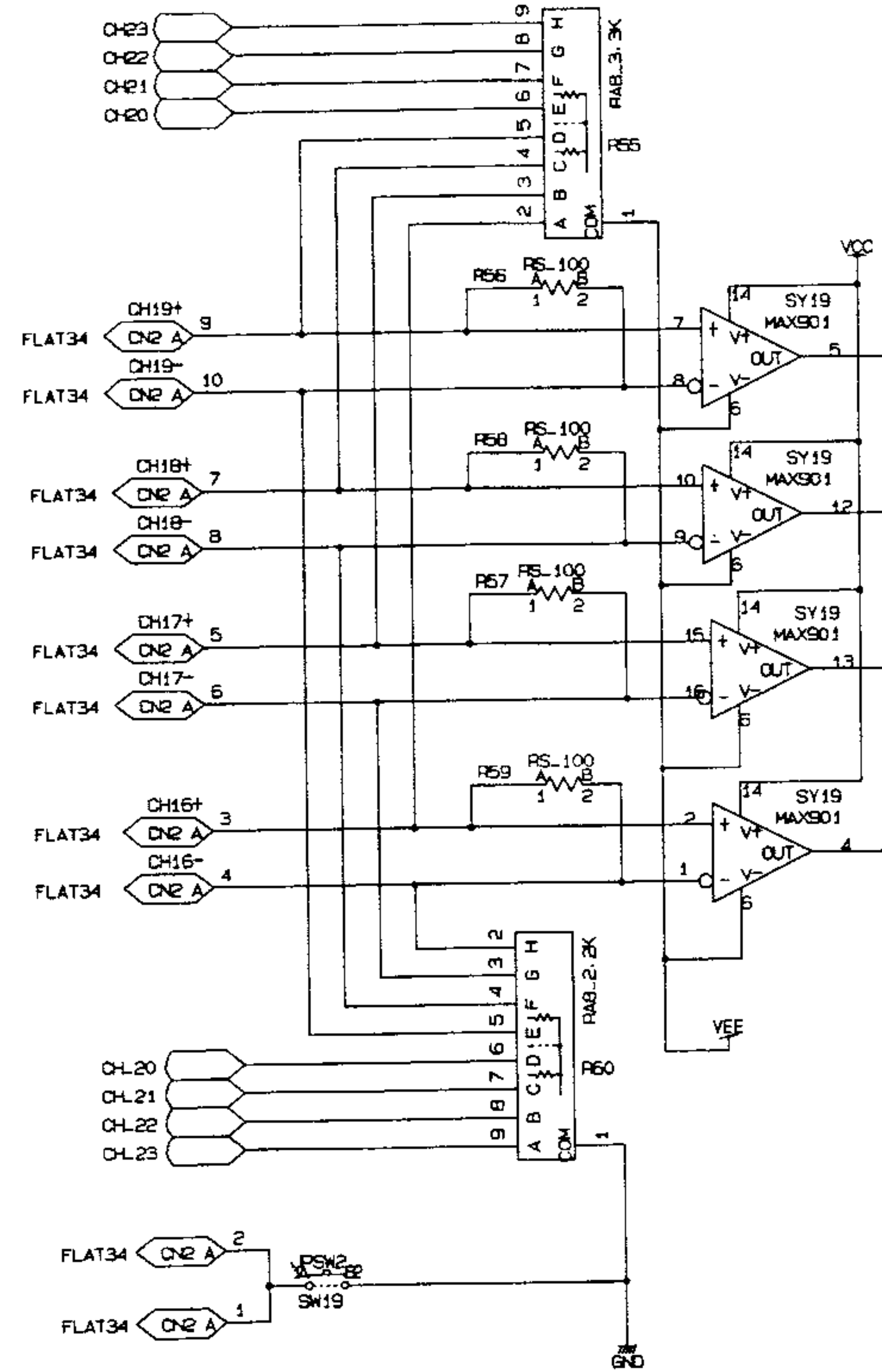
TITLE	32CH TMC-VME 6U MODULE	PAGE
DATE & REV	94/12/14 96/11/15	8/14
DESIGNED BY	Tokyo U A&T // T. Murata	



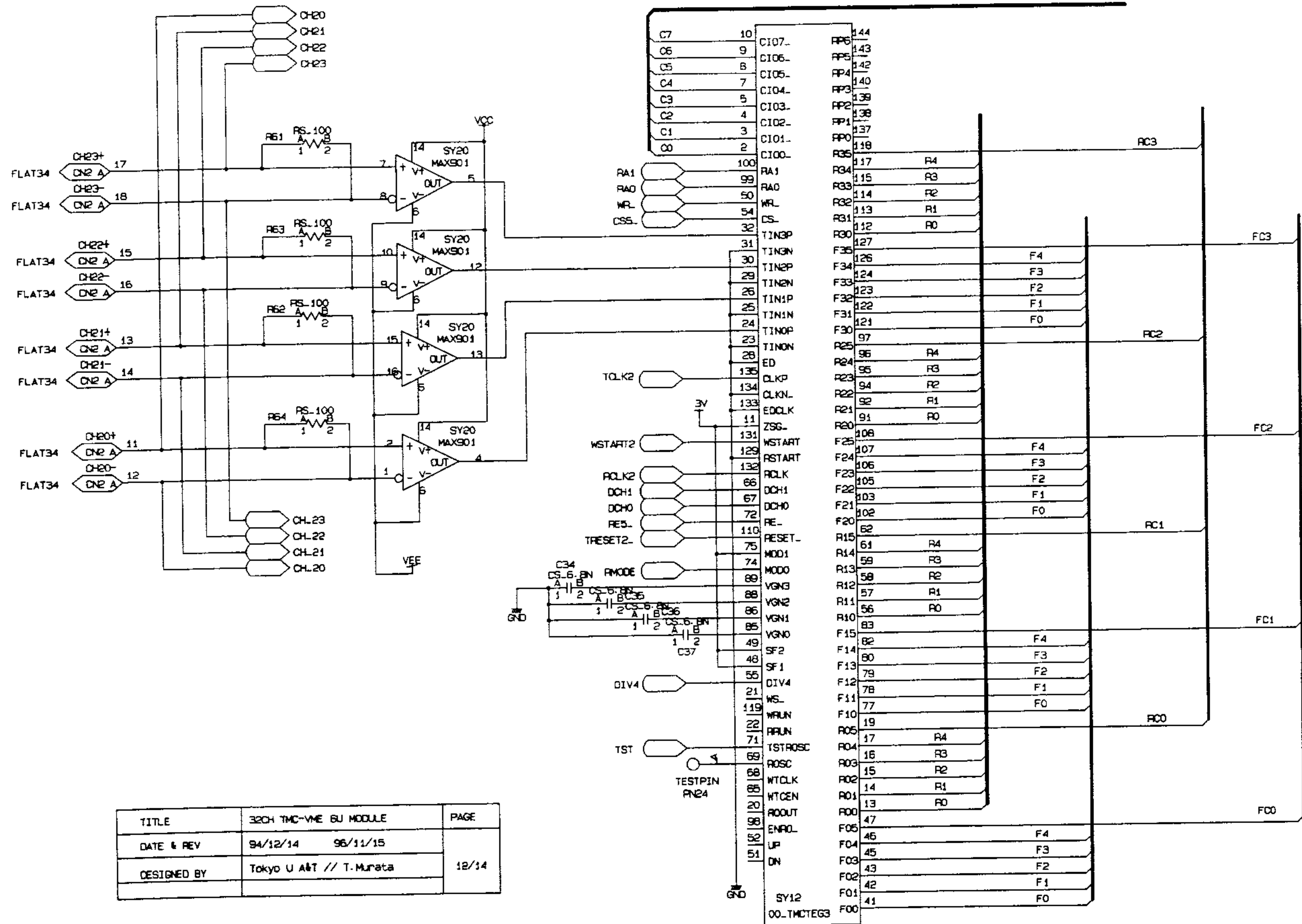
TITLE	32CH TMC-VME 6U MODULE	PAGE
DATE & REV	94/12/14 95/11/15	9/14
DESIGNED BY	Tokyo U A&T // T.Murata	



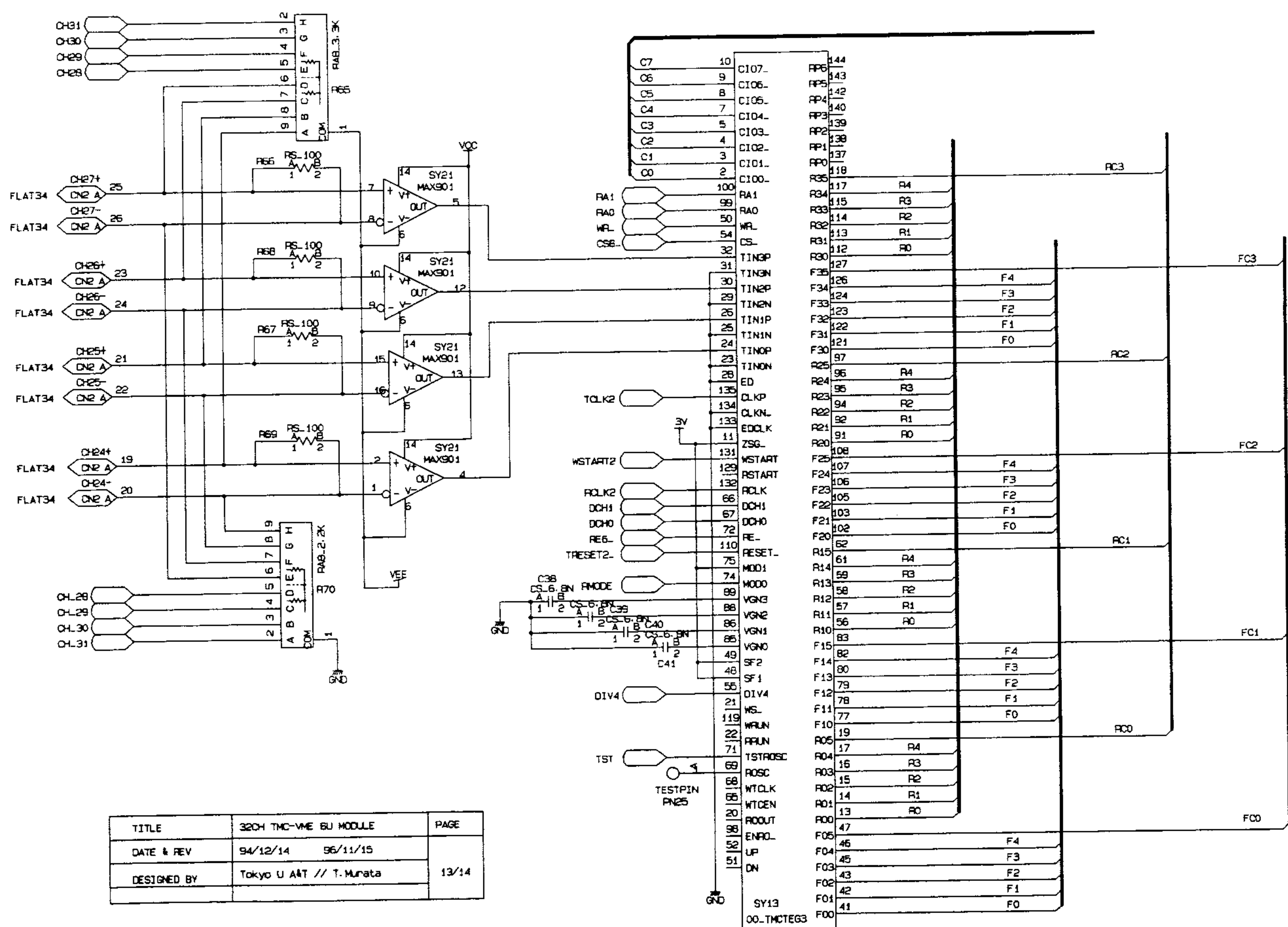
TITLE	32CH TMC-VME 6U MODULE	PAGE
DATE & REV	94/12/14 95/11/15	
DESIGNED BY	Tokyo U ANT // T.Murata	10/14



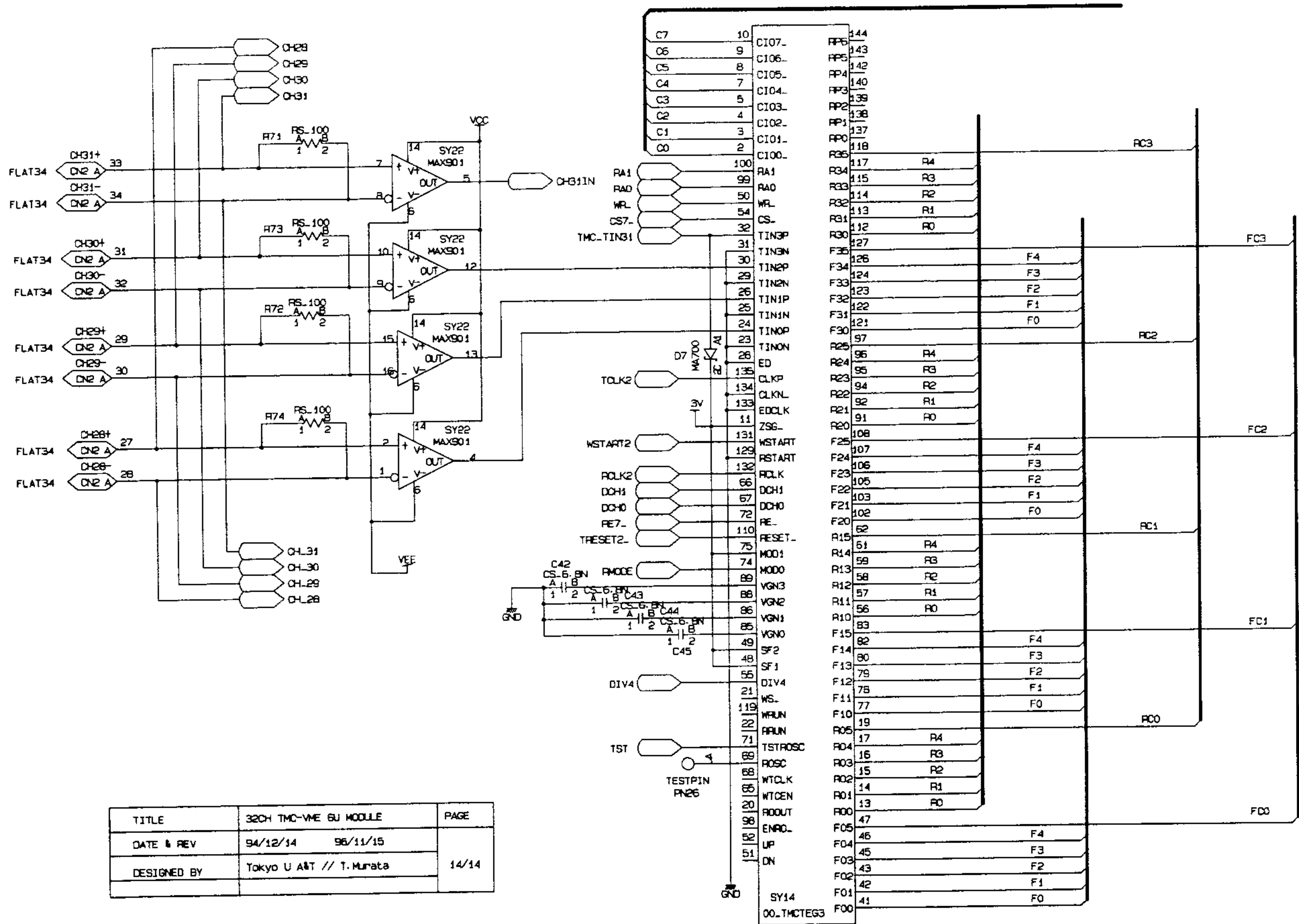
TITLE	32CH TMC-VME 6U MODULE	PAGE
DATE & REV	94/12/14 96/11/15	11/14
DESIGNED BY	Tokyo U A&T // T.Murata	



TITLE	32CH TMC-VME 6U MODULE	PAGE
DATE & REV	94/12/14 96/11/15	12/14
DESIGNED BY	Tokyo U A&T // T.Murata	



TITLE	32CH TMC-VME BU MODULE	PAGE
DATE & REV	94/12/14 96/11/15	13/14
DESIGNED BY	Tokyo U A&T // T. Murata	



TITLE	32CH TMC-VME 6U MODULE	PAGE
DATE & REV	94/12/14 96/11/15	14/14
DESIGNED BY	Tokyo U A&T // T. Murata	